



Application

- It is applicable to household water supply, equipment support, pipeline pressurization, garden watering, vegetable greenhouse watering, fish farming and poultry raising, industrial and mining, water supply and drainage of enterprises and high-rise buildings, central air conditioner and centralized heating circulation system, etc.

Pump

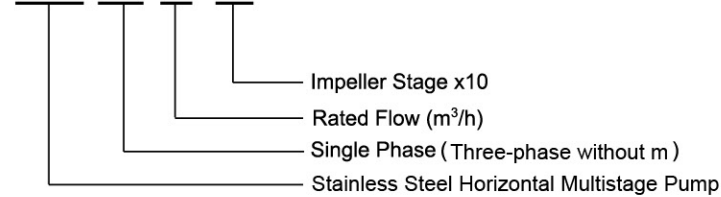
- AISI 304 shaft
- Max. liquid temperature: +85°C
- Altitude: up to 1000 m
- Max. suction: 8 m
- Max. inlet pressure: limited by max. operating pressure
- Max. operation pressure: 10 bar
- Liquid PH value: 4 - 10

Motor

- IE2 motor (IE3 motor available on request)
- Motor with copper winding
- Built-in thermal protector for single phase motor
- Insulation class: F
- Protection class: IP55
- Max. ambient temperature: +40°C

Identification Codes

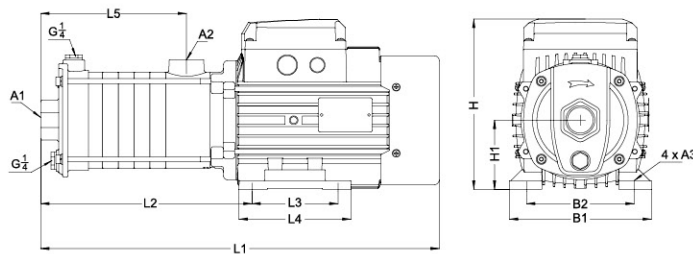
ECH (m) 20 - 20



Technical Data

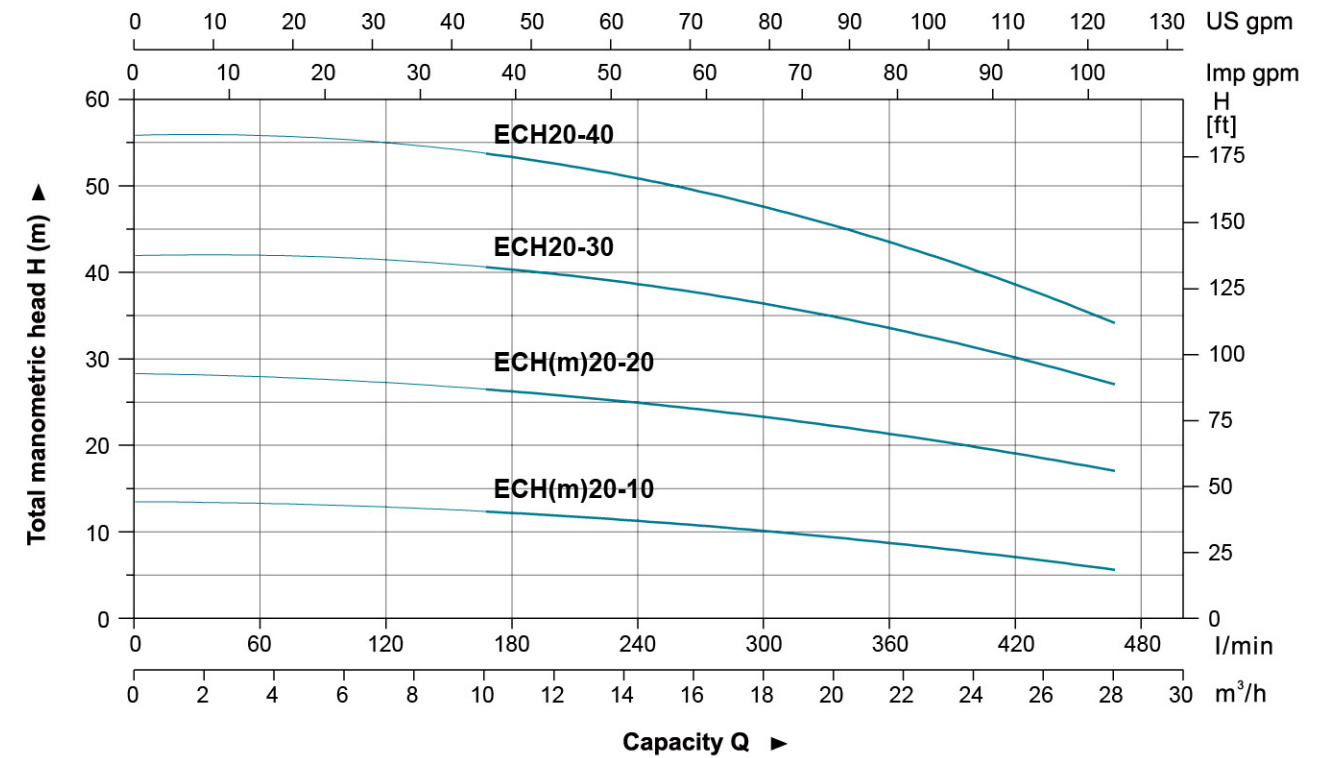
Model	Power		Q (m³/h) Q (l/min)	12	16	20	24	28
	kW	HP		H (m)				
ECH(m)20-10	1.1	1.5	H (m)	12.1	10.8	9.5	7.8	5.7
ECH(m)20-20	2.2	3		26.1	24.4	22.4	19.8	17.2
ECH20-30	4.0	5.5		39.9	38.0	35.5	31.4	26.9
ECH20-40				52.7	50.1	45.9	40.3	34.0

Dimension



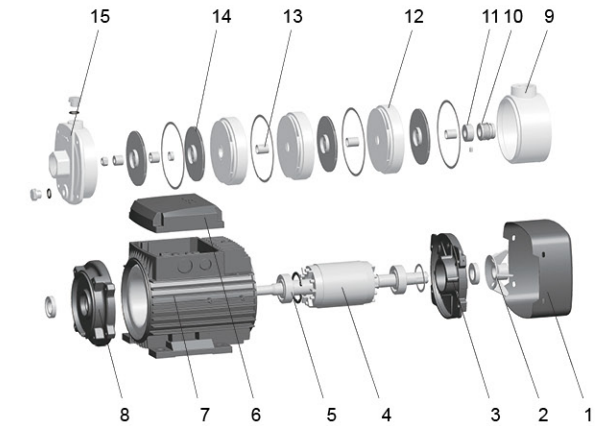
Model	L1	L2	L3	L4	L5	B1	B2	H	H1	A1	A2	A3
ECH(m)20-10	451	233.5	100	130	139.5	165	125	204.5	80	G2	G2	Φ10
ECH(m)20-20	510	222	125	150	139.5	180	140	217.5	90	G2	G2	Φ10
ECH20-30	570.5	291	140	180	184.5	205	160	224.5	100	G2	G2	Φ12
ECH20-40	616	336.5	140	180	230	205	160	224.5	100	G2	G2	Φ12

Hydraulic Performance Curves



Materials Table

No.	Part	Material
1	Fan cover	08F
2	Fan	PP
3	Rear cover	ZL 102
4	Rotor	
5	Bearing	
6	Terminal box	ZL 102
7	Stator	
8	Front cover	Cast iron
9	Outlet body	Cast iron
10	Mechanical seal	Sic/Carbon
11	Positioning sleeve	AISI 304
12	Diffuser	AISI 304
13	Sleeve	AISI 304
14	Impeller	AISI 304
15	Pump body	Cast iron



Package Information

Model	GW (Kgs)	L (mm)	W (mm)	H (mm)	Quantity (PCS/20 TEU)
ECH(m)20-10	22.7	503	235	268	856
ECH(m)20-20	30.3	557	245	283	659
ECH20-30	38.9	687	245	290	513
ECH20-40	39.4	687	245	290	504

