

XCm

Stainless Steel Multistage Centrifugal Pump



Application

- Can be used to transfer clean water or other liquids similar to water in physical and chemical properties
- Suitable for industrial use and urban water supply, domestic water supply, high rise buildings, long distance water transfer and related auxiliary equipment etc.

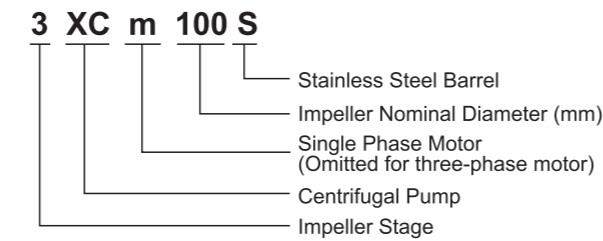
Pump

- Cast iron pump body and support under special anti-rust treatment
- AISI 304 shaft
- Max. liquid temperature: +40°C
- Max. suction: +8 m

Motor

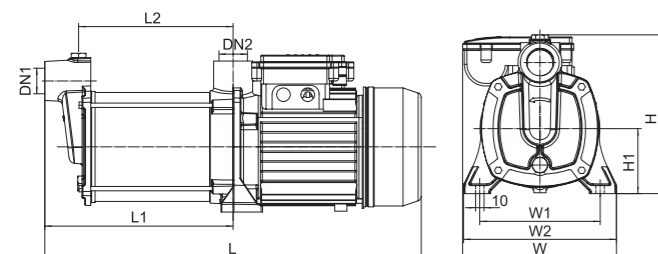
- C&U bearing
- Motor with copper winding
- Built-in thermal protector for single phase motor
- Insulation class: F
- Protection class: IPX4
- Max. ambient Temperature: +40°C

Identification Codes



Technical Data

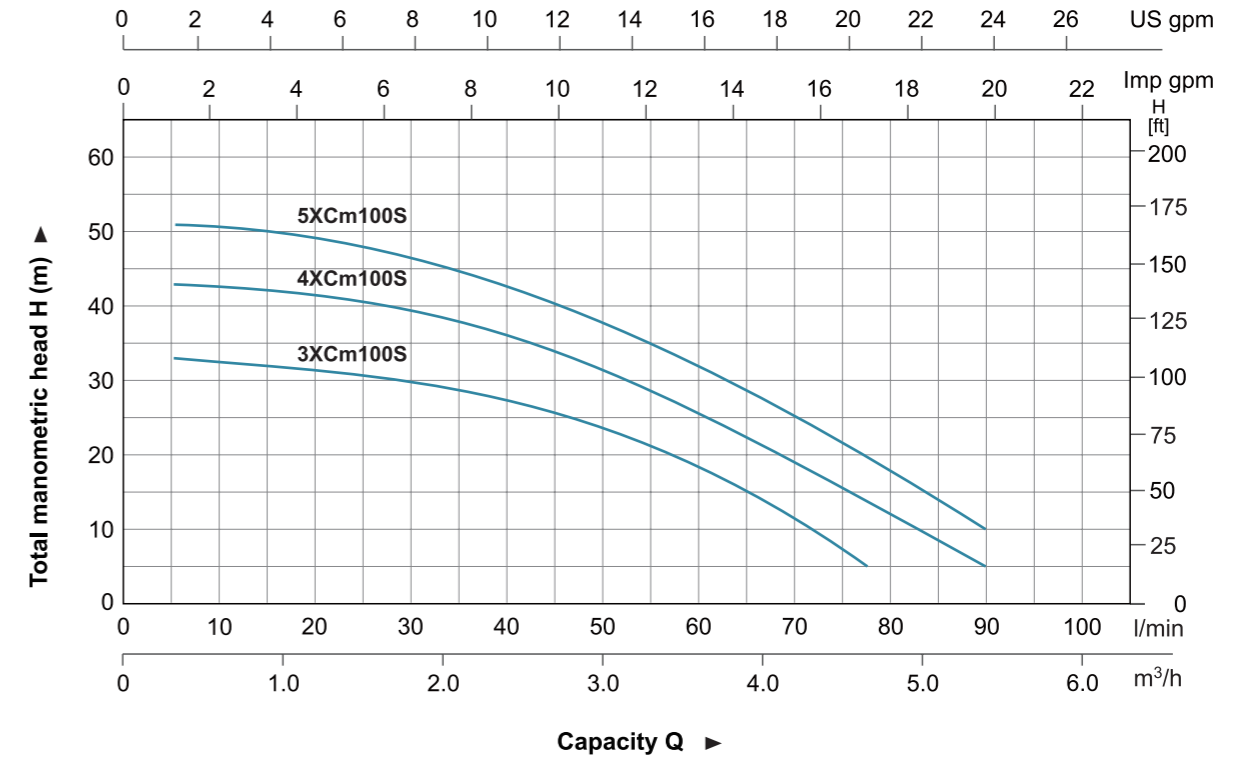
Model		POWER		Q (m³/h)																			
Single Phase	Three Phase	kW	HP	Q (l/min)	0	0.6	1.2	2.1	2.4	3.0	3.6	4.2	4.8	5.4									
				H (m)	0	10	20	35	40	50	60	70	80	90									
3XCm100S	3XC100S	0.6	0.8		35	33.5	31	28.5	25.5	21.5	16.5	11	5	-									
4XCm100S	4XC100S	0.75	1		45	43.5	41	38.5	35	30.5	25.5	19.5	12.5	5									
5XCm100S	5XC100S	0.9	1.2		55	52.5	49.5	46.5	42.5	38	32	25	18	10.5									



Dimension

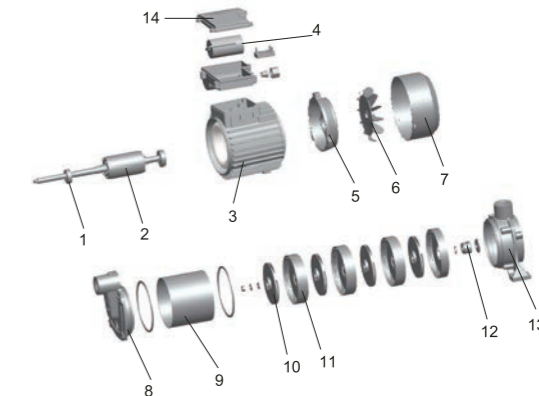
Model	DN1	DN2	L (mm)	L1 (mm)	L2 (mm)	H (mm)	H1 (mm)	W (mm)	W1 (mm)	W2 (mm)
3XCm100S	1"	1"	390	172	132	185	75	179	140	176
4XCm100S	1"	1"	414	196	156	185	75	179	140	176
5XCm100S	1"	1"	438	220	180	185	75	179	140	176

Hydraulic Performance Curves



Materials Table

No.	Part	Material
1	Bearing	
2	Rotor	
3	Stator	
4	Capacitor	
5	Rear cover	ZL102
6	Fan	PA6
7	Fan cover	08F
8	Pump body	HT200
9	Barrel	AISI 304
10	Impeller	PPO
11	Diffuser	PPO
12	Mechanical seal	Carbon/Ceramic
13	Support	HT200
14	Terminal box	ABS



Package Information

Model	GW (Kgs)	L (mm)	W (mm)	H (mm)	Quantity (PCS/20'TEU)
3XCm100S	12.4	405	215	230	1314
4XCm100S	13.4	430	210	230	1170
5XCm100S	14.7	455	210	230	1170

