



Application

- Can be used to transfer clean water or other liquids similar to water in physical and chemical properties
- Suitable for industrial use and urban water supply, pressure boosting for high buildings and fire fighting, garden irrigation, long-distance water transfer, heating ventilation and air controlling, circulation and pressure boosting for cold and hot water, and supporting equipment etc.

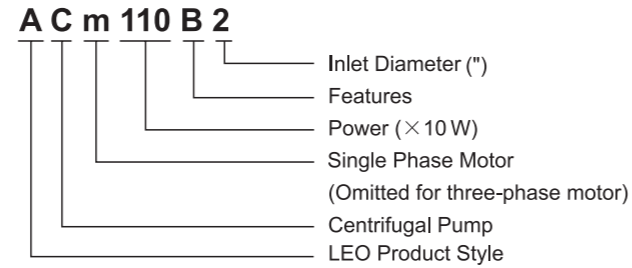
Pump

- Cast iron pump body and support under special anti-rust treatment
- AISI 304 shaft
- Max. liquid temperature: +40°C
- Max. suction: +8 m

Motor

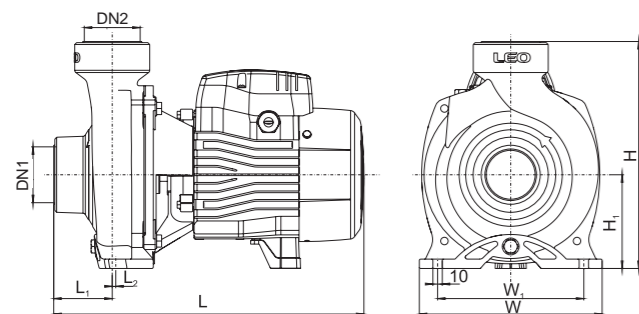
- C&U bearing
- Motor with copper winding
- Built-in thermal protector for single phase motor
- Insulation class: F
- Protection class: IPX4
- Max. ambient temperature: +40°C

Identification Codes



Technical Data

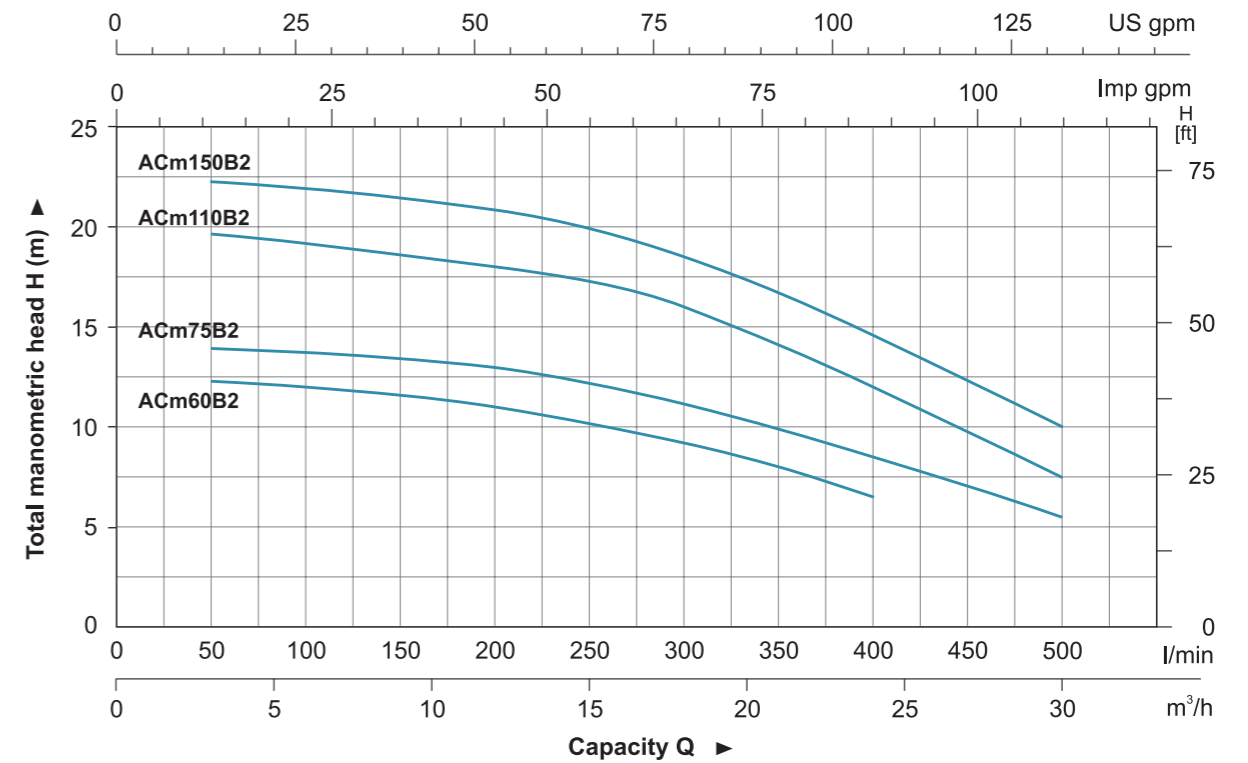
MODEL		POWER		Q (m³/h)									
Single Phase	Three Phase	kW	HP	0	6	9	12	15	18	21	24	30	
ACm60B2	AC60B2	0.6	0.8	H (m)	0	100	150	200	250	300	350	400	500
ACm75B2	AC75B2	0.75	1		12.5	12	11.7	11	10.2	9.2	8	6.5	-
ACm110B2	AC110B2	1.1	1.5		14	13.7	13.5	13	12.3	11.2	9.9	8.5	5.5
ACm150B2	AC150B2	1.5	2		19.5	19.2	19	18.5	17.7	16.5	15	13	8.5
					22	21.5	21	20.5	19.5	18.3	16.5	14.5	9.5



Dimension

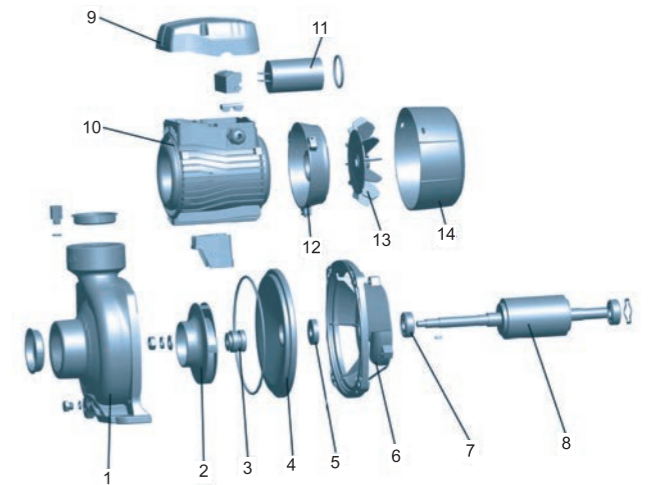
Model	DN1	DN2	L (mm)	W (mm)	H (mm)	L ₁ (mm)	L ₂ (mm)	W ₁ (mm)	H ₁ (mm)
ACm60B2	2"	2"	331	195	242	62.5	4	156	100
ACm75B2	2"	2"	331	195	242	62.5	4	156	100
ACm110B2	2"	2"	378	206	263	59	3.5	166	112
ACm150B2	2"	2"	378	206	263	59	3.5	166	112

Hydraulic Performance Curves



Materials Table

No.	Part	Material
1	Pump body	HT200
2	Impeller	AISI 304 Brass
3	Mechanical seal	Carbon/Ceramic
4	Support cover	HT200
5	Oil seal	
6	Support	ZL102
7	Bearing	
8	Rotor	
9	Terminal box	ABS
10	Stator	
11	Capacitor	
12	Rear cover	ZL102
13	Fan	PP
14	Fan cover	PP



Package Information

Model	GW (Kgs)	L (mm)	W (mm)	H (mm)	Quantity (PCS/20' TEU)
ACm60B2	14.4	375	214	265	1264
ACm75B2	15.2	375	214	265	1264
ACm110B2	19.9	415	225	285	945
ACm150B2	20.7	415	225	285	945

