



SCHEDA TECNICA - *Technical data sheet*






Modello-Model: **MAXIVAREM LS**

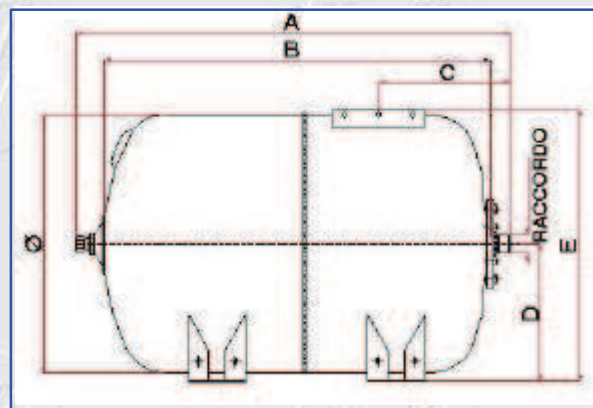
Codice-Code: **US 061 361**



| Capacità Capacity | Codice Code | Press. Max bar | Raccordo Connector | Dimensioni Dimensions | | | | | Peso Weight Kg. | Imballo Packaged Volume m3 | |
|----------------------|-------------------|-------------------|-----------------------|--------------------------|-----|-----|-----|-----|-----------------------|-------------------------------------|------|
| | | | | ∅ | A | B | C | D | | | E |
| 60 L | US 061 361 | 10 bar | 1" gas | 380 | 680 | 630 | 630 | 175 | - | 16 | 0,13 |

Parti di ricambio - *Spare parts*

| | | |
|---|---------------------------|---|
| Controflangia Coverflange | |  |
| Codice-Code: | V50025 | |
| Materiale-Material: | FE | |
| Trattamento-Treatment: | Zincata-Galvanized | |
| Membrana Membrane | |  |
| Codice-Code: | V42060 | |
| Materiale-Material: | Gomma BUTILE | |
| Trattamento-Treatment: | | |
| Controfl. Superiore Top flange | | |
| Codice-Code: | | |
| Materiale-Material: | | |
| Trattamento-Treatment: | | |
| Dado Nut | | |
| Codice-Code: | | |
| Materiale-Material: | | |
| Trattamento-Treatment: | | |
| Valvola Pre carica Precharge valve | |  |
| Codice-Code: | V50801 | |
| Materiale-Material: | Ottone - Brass | |



Dimensioni Scatola -
Dimensions box:

A=705 B=375 H=425

