
	<b>Product Information</b>	Manufacturer	LEO
		Address	China,Zhejiang,Wenling
		Contact	0576-89988888
		Date	2025/10/27
<b>Project Name</b>	<b>XKS-900S</b>	Client Name	
<b>Item NO</b>		Client Addr.	
		Contacts	
		Contact	

Part NO.	XKS-900S
----------	----------

Product Picture	Note
	XKS-900S can be used for transfer clean water or other liquids similar to water in physical and chemical properties, suitable to be immersed in water for lifting water from well or the pool, and draining water from the basement.

### Nameplate parameters

Max.flow	6.5 m <sup>3</sup> /h
Max.head	34 m
Max. Suction Depth	7 m
speed	
Max. Dia of Particle	1 mm

### Technical

Flow range (m <sup>3</sup> /h)	
Curve tolerance	

### Material

Impeller
Diffuser
Pump shaft
Pump flange
Motor base
Coupling
Pump barrel



### Working conditions


Medium temperature (°C)	+35 C
Max. ambient temperature (°C)	
Pumped medium	Clean water
Working pressure	
Maximum inlet pressure	

### Installation

Length of Power Cable	10m
outlet dia.	1 "

### Motor

Motor phase	Single phase
Protection class	IPX8
Motor poles	
Insulation class	F
Motor power (KW)	0.9kW
Motor model	
Frequency	50Hz
Rated voltage (V)	220V-240V

	<b>Product Information</b>	Manufacturer	LEO
		Address	China,Zhejiang,Wenling
		Contact	0576-89988888
		Date	2025/10/27
<b>Project Name</b>	<b>XKS-900S</b>	Client Name	
		Client Addr.	
		Contacts	
<b>Item NO</b>		Contact	

Rated current (A)

Efficiency class

Power factor

Efficiency (%)

**Weight/Packaging**

Net weight (kg)

Gross weight (kg)

Package size

9.9kg

245x190x455mm



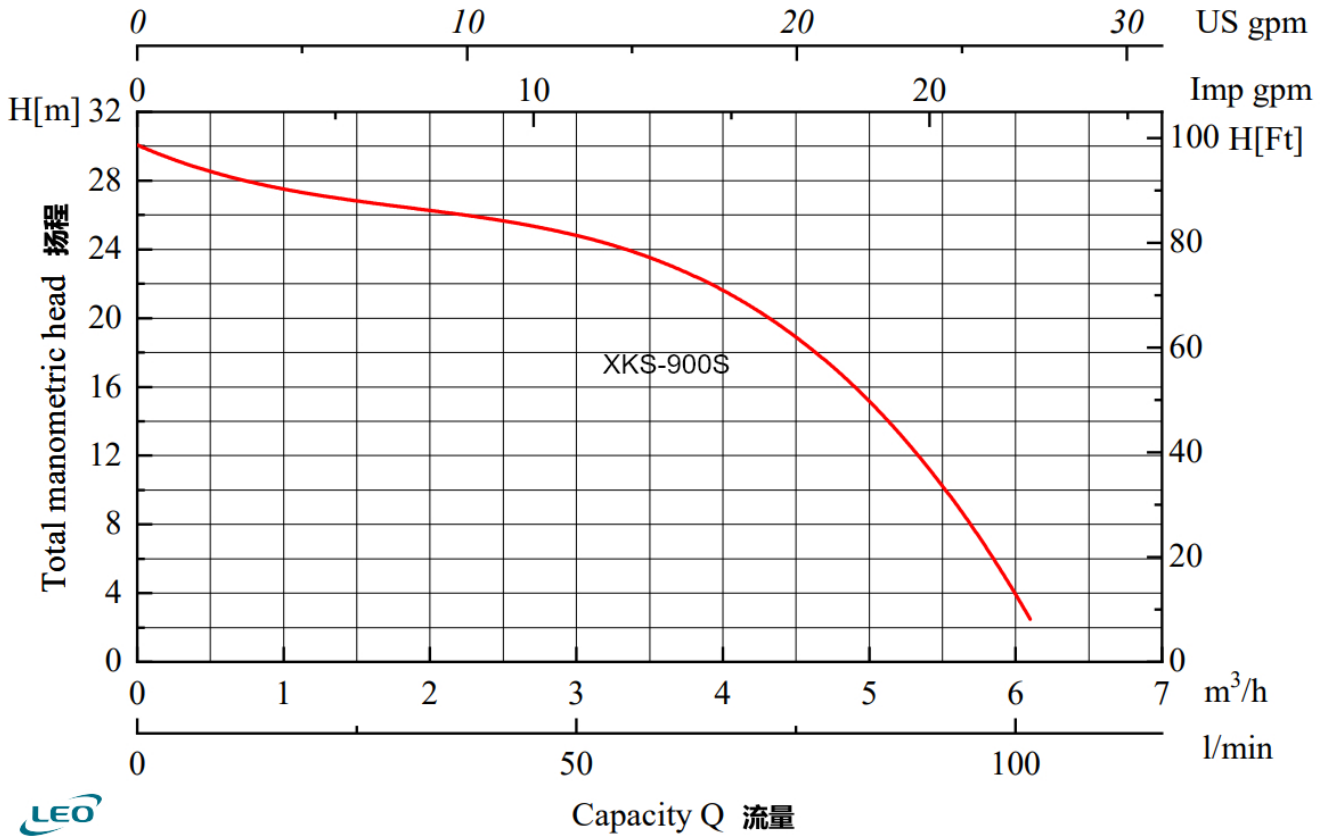


### Performance Curve XKS-900S

Manufacturer	LEO
Address	China,Zhejiang,Wenling
Contact	0576-89988888
Date	2025/10/27
Client Name	
Client Addr.	
Contacts	
Contact	

Project Name	
Item NO	

### Hydraulic Performance Curve 性能曲线图





### Pump Technical Parameters XKS-900S

Manufacturer	LEO
Address	China,Zhejiang,Wenling
Contact	0576-89988888
Date	2025/10/27
Client Name	
Client Addr.	
Contacts	
Contact	

Rated parameters	
Pump model	XKS-900S
Part NO.	XKS-900S
Rated flow	6.5 m <sup>3</sup> /h
Rated head	34 m
Rated efficiency (%)	
Power (kW)	0.9
Speed (rpm)	
Design point parameters	
Flow (m <sup>3</sup> /h)	
Head (m)	
Operating point parameters	
Flow (m <sup>3</sup> /h)	
Head (m)	
Efficiency (%)	
Power (kW)	
NPSHr (m)	
Speed (rpm)	
Medium	
Pumped medium	Water
Working temperature (°C)	
Medium density (kg/m <sup>3</sup> )	
Viscosity (mm <sup>2</sup> /s)	

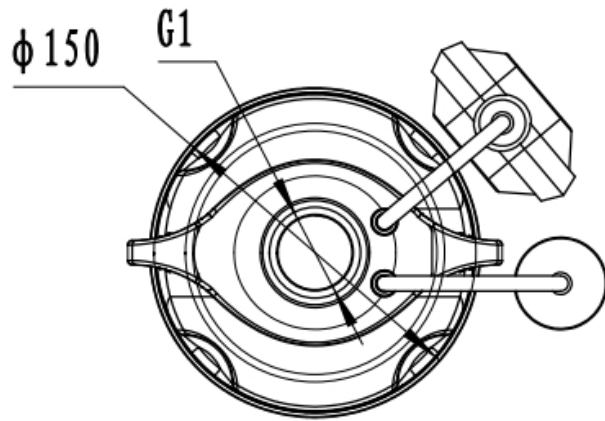
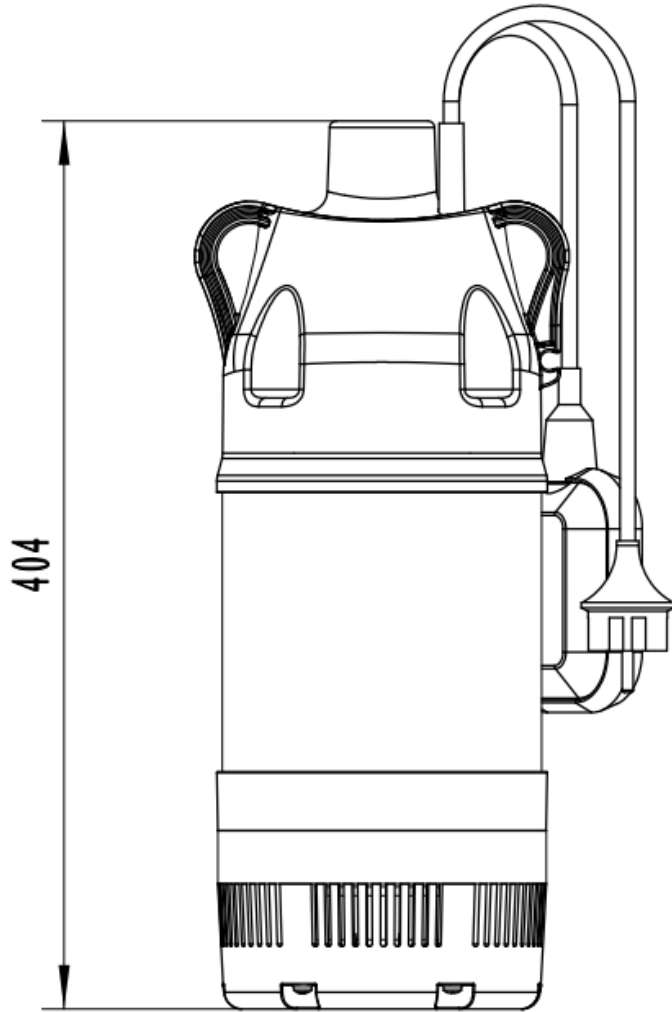




**Dimension  
Drawing XKS-900S**

Manufacturer	LEO
Address	China,Zhejiang,Wenling
Contact	0576-89988888
Date	2025/10/27
Client Name	
Client Addr.	
Contacts	
Contact	

Project Name	
Item NO	





### Structure picture

Manufacturer: LEO  
 Address: China,Zhejiang,Wenling  
 Contact: 0576-89988888  
 Date: 2025/10/27

Project Name

XKS-900S

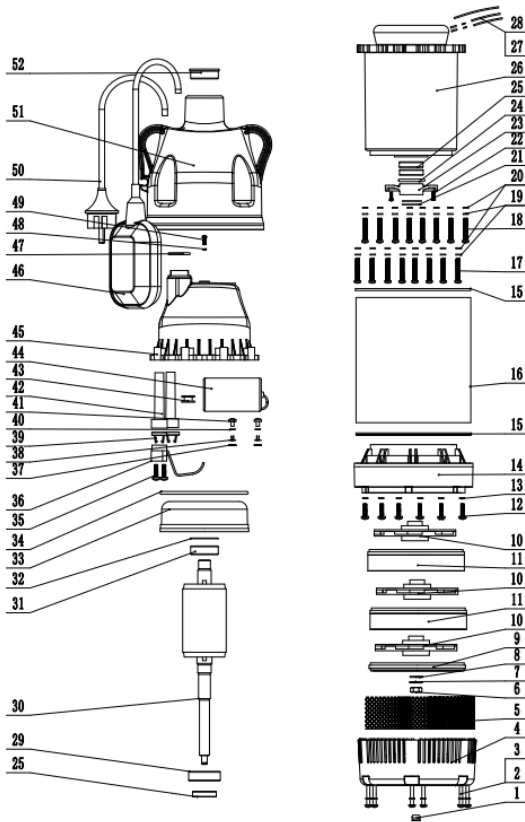
Client Name

Client Addr.


Item NO

Contacts

Contact



52	40035094	XCm158防尘盖	Dust cap	1	PE	
51	40013953	XKS-900S泵体	Pump body	1	PP-GF30	
50	10006596	插头线(欧标)H07RN-F 3C×1mm <sup>2</sup> ×10.3m	Plug cord	1		
49	10012767	内六角花型盘头自攻螺钉ST3.5×11	Screw	1	20H(06C:19Ni:10)	
48	10000501	O形密封圈(GB/T 3452.1)2.5×1.8	O-ring	1	NBR	
47	10000518	O形密封圈(GB/T 3452.1)35.5×3.55	O-ring	1	NBR	
46	40014975	FLO-01B浮子开关 H07	Float switch	1		
45	40005376	XKS-900S顶盖	Head cover	1	PP-GF30	
44	10022856	CB860双引线16±f/450V电容34×68/C/70°C/S3	Capacitor	1		110±5
43	10001070	XKS-750P出线嘴	Rubber hose	1	NBR	
42	10002549	XKS-750P电缆护套	Cable sheath	2	EPDM	
41	10001501	十字槽盘头螺钉M4×6(GB/T 818)	Screw	2	4.8级(Q235)	
40	10001212	标准型弹簧垫圈4(GB/T 93)	Spring washer	2	65Mn	
39	40023262	LKS-400FP电缆固定夹	Cable clips	2	PA6-GF25	
38	10001122	冷压φ4.2	Cold compacting	2	HPb59-1	
37	10001583	外齿锁紧垫圈4(GB/T 862.1)	Serrated lock washer	2	65Mn	
36	40006044	XKS-750P电容夹	Capacitor clamp	1	PA6-GF30	
35	10001554	十字槽盘头自攻螺钉ST4.2×30F型	Screw	3	M1.20Mn	
34	10006613	O形密封圈(GB/T 3452.1)108×3.55	O-ring	1	NBR	
33	40005503	XKS-900S上端盖	Upper cover	1	ADC12	
32	10004846	波形弹簧D35	Wave spring	1	65Mn	
31	10031277	深沟球轴承G202-2RZ(GB/T276)	Bearing	1		新大地
30	40023917	XKS-900S转子71#B 62-5	Motor	1		焊接258长
29	10031278	深沟球轴承G203-2RZ(GB/T 276)	Bearing	1		新大地
28	10017517	耐高温绝缘端子150°C/750°C(CE2)	Clip cap	6		
27	10027626	HT-160铜线30W 0.75mm黄绿色(GB/T 6811.6)裸铜	Wire			
26	40005726	XKS-900S定子(配XKS-1101S机壳)	Stator	1		71#B, 62
25	10014385	内包骨架旋转变形密封圈PB15×30×7	huber covered rotary shaft lip seal	3		弹簧不锈钢
24	10000556	O形密封圈(GB/T 3452.1)28×1.8	O-ring	1	NBR	
23	40022984	XKS-901S油封盖板	Oil seal cover	1	ADC12	
22	10006122	十字槽盘头螺钉M4×10(GB/T 818)	Screw	2	A2-70(06C:19Ni:10)	
21	10007139	XKS-900S平垫圈	Washer	2	1Cr18Ni9Ti	4# 12.4# 14#
20	10001457	平垫圈4(GB/T 97.1)	Washer	16	20Mn(12Cr17Ni6Si2)	
19	10001213	标准型弹簧垫圈4(GB/T 93)	Spring washer	16	12Cr17Ni6Si2	
18	10005641	Y槽盘头自攻螺钉ST4.7×40	Screw	8	20H(06C:19Ni:10)	
17	10009531	内六角花型盘头自攻螺钉ST4.7×25(GB/T 2870.1)	Screw	8	20H(06C:19Ni:10)	带针
16	10004875	XKS-900S泵筒	Cylinder	1	06Cr19Ni10	
15	10001078	XKS-900S泵体密封圈	Sealing gasket	2	EPDM	
14	40005373	XKS-900S导叶	Guide vane	1	PP-GF30	
13	10001437	小垫圈4(GB/T 848)	Washer	6	20Mn(12Cr17Ni6Si2)	
12	10013564	十字槽盘头螺钉M5×16(GB/T 823)	Screw	6	A2-70(06C:19Ni:10)	
11	40005374	4XCm100S出水盖	Lead impeller	2	PP-GF30	
10	40022707	XKS-901S叶轮	Impeller	3	PP-GF30	
9	40005379	XKS-900S泵盖	Pump cover	1	PP-GF30	
8	10016641	XKS-901S螺母垫片	Washer	1	Hpb59-1	
7	10016642	XKS-901S垫片	Washer	1	20Mn(06C:19Ni:10)	
6	10007210	非金属嵌件薄型锁紧螺母M8(DIN 985)	Lock nut	1	A2-70(06C:19Ni:10)	
5	10014363	XKS-900S滤网	Filter screen	6	06Cr19Ni10	
4	40005377	XKS-900S底座	Base	1	PA66-GF30	
3	10014285	外锯齿锁紧垫圈4(GB/T 862.2)	Washer	6	20Mn(12Cr17Ni6Si2)	
2	1123669001	十字盘头带垫圈防滴自攻螺钉ST4.7×65	Screw	6	20H(06C:19Ni:10)	
1	40005375	XKS-900S放水孔堵头	Drain plug	1	NBR	
序号	代号	中文名称	英文名称	数量	材料	备注
No.	Part No.	名称	Part Name	Amount	Material	Remark

	<b>Physical picture</b>	Manufacturer	LEO
		Address	China,Zhejiang,Wenling
		Contact	0576-89988888
		Date	2025/10/27
<b>Project Name</b>	<b>XKS-900S</b>	Client Name	
<b>Item NO</b>		Client Addr.	
		Contacts	
		Contact	

