



| | | | |
|--|----------------------------|--------------|------------------------|
|  | Product Information | Manufacturer | LEO |
| | | Address | China,Zhejiang,Wenling |
| | | Contact | 0576-89988888 |
| | | Date | 2024/7/17 |
| Project Name | XKS-810PL | Client Name | |
| Item NO | | Client Addr. | |
| | | Contacts | |
| | | Contact | |

| | |
|----------|-----------|
| Part NO. | XKS-810PL |
|----------|-----------|

| Product Picture | Note |
|---|--|
|  | <p>XKS-810PL can be used for transfer clean water or other liquids similar to water in physical and chemical properties, suitable to be immersed in water for lifting water from well or the pool, and draining water from the basement.</p> |

Nameplate parameters

| | |
|----------------------|----------------------|
| Max.flow | 16 m ³ /h |
| Max.head | 10 m |
| Max. Suction Depth | 7m |
| speed | |
| Max. Dia of Particle | 5mm |

Technical

| | |
|--------------------------------|--|
| Flow range (m ³ /h) | |
| Curve tolerance | |

Material

| |
|-------------|
| Impeller |
| Diffuser |
| Pump shaft |
| Pump flange |
| Motor base |
| Coupling |
| Pump barrel |



Working conditions


| | |
|-------------------------------|-------------|
| Medium temperature (°C) | +35 °C |
| Max. ambient temperature (°C) | |
| Pumped medium | Clean water |
| Working pressure | |
| Maximum inlet pressure | |

Installation

| | |
|-----------------------|--------|
| Length of Power Cable | 10m |
| outlet dia. | 1 1/2" |

Motor

| | |
|-------------------|--------------|
| Motor phase | Single phase |
| Protection class | IPX8 |
| Motor poles | |
| Insulation class | F |
| Motor power (KW) | 0.75kW |
| Motor model | |
| Frequency | 50Hz |
| Rated voltage (V) | 220V-240V |

| | | | |
|--|----------------------------|--------------|------------------------|
|  | Product Information | Manufacturer | LEO |
| | | Address | China,Zhejiang,Wenling |
| | | Contact | 0576-89988888 |
| | | Date | 2024/7/17 |
| Project Name | XKS-810PL | Client Name | |
| Item NO | | Client Addr. | |
| | | Contacts | |
| | | Contact | |

Rated current (A)

Efficiency class

Power factor

Efficiency (%)

Weight/Packaging

Net weight (kg)

Gross weight (kg)

Package size

22.6 kg

420x350x355mm



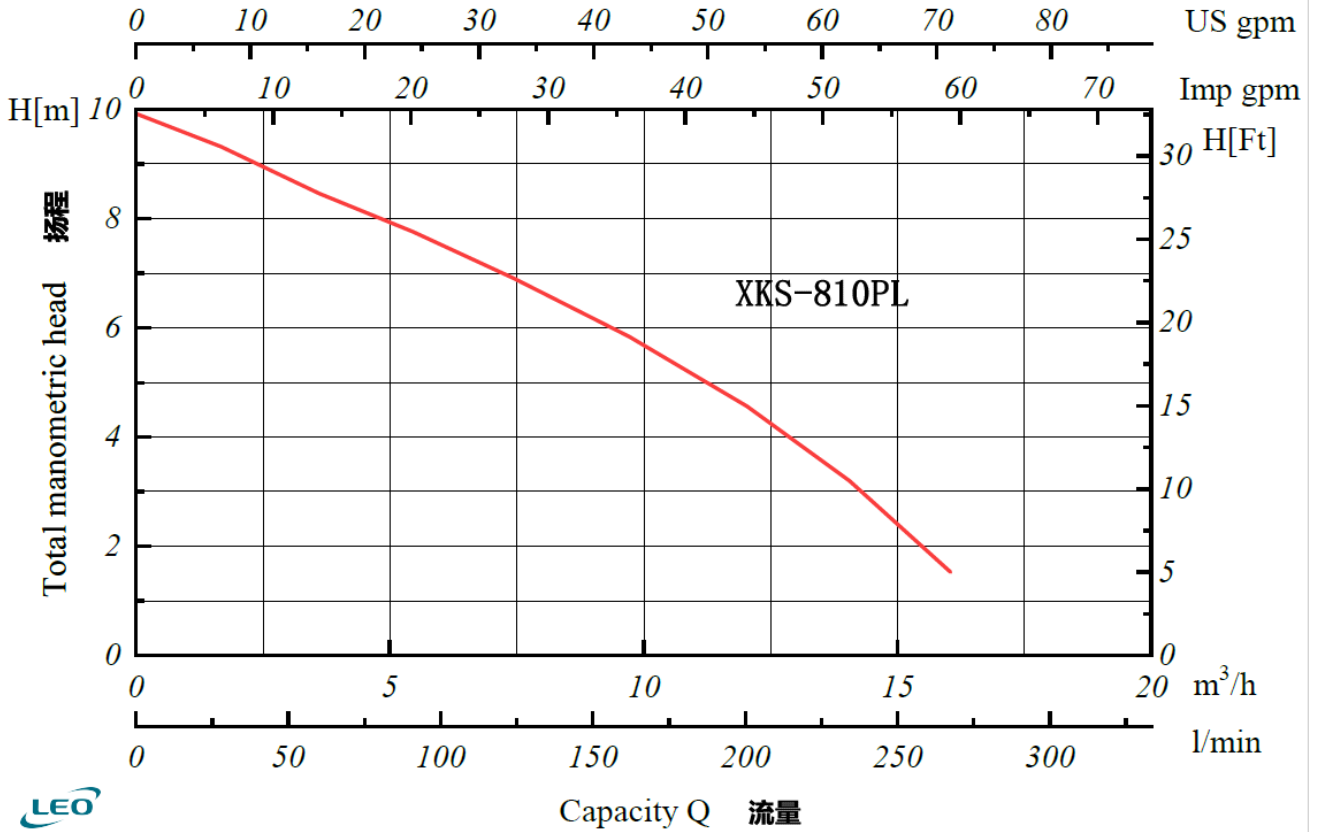


Performance Curve XKS-810PL

| | |
|--------------|------------------------|
| Manufacturer | LEO |
| Address | China,Zhejiang,Wenling |
| Contact | 0576-89988888 |
| Date | 2024/7/17 |
| Client Name | |
| Client Addr. | |
| Contacts | |
| Contact | |

| | |
|--------------|--|
| Project Name | |
| Item NO | |

Hydraulic Performance Curve 性能曲线图





Pump Technical Parameters XKS-810PL

| | |
|--------------|------------------------|
| Manufacturer | LEO |
| Address | China,Zhejiang,Wenling |
| Contact | 0576-89988888 |
| Date | 2024/7/17 |
| Client Name | |
| Client Addr. | |
| Contacts | |
| Contact | |

Rated parameters

| | |
|----------------------|----------------------|
| Pump model | XKS-810PL |
| Part NO. | XKS-810PL |
| Rated flow | 16 m ³ /h |
| Rated head | 10 m |
| Rated efficiency (%) | |
| Power (kW) | 0.75 |
| Speed (rpm) | |

Design point parameters

| | |
|--------------------------|--|
| Flow (m ³ /h) | |
| Head (m) | |

Operating point parameters

| | |
|--------------------------|--|
| Flow (m ³ /h) | |
| Head (m) | |
| Efficiency (%) | |
| Power (kW) | |
| NPSHr (m) | |
| Speed (rpm) | |

Medium

| | |
|-------------------------------------|-------|
| Pumped medium | Water |
| Working temperature (°C) | |
| Medium density (kg/m ³) | |
| Viscosity (mm ² /s) | |





Dimension Drawing
XKS-810PL

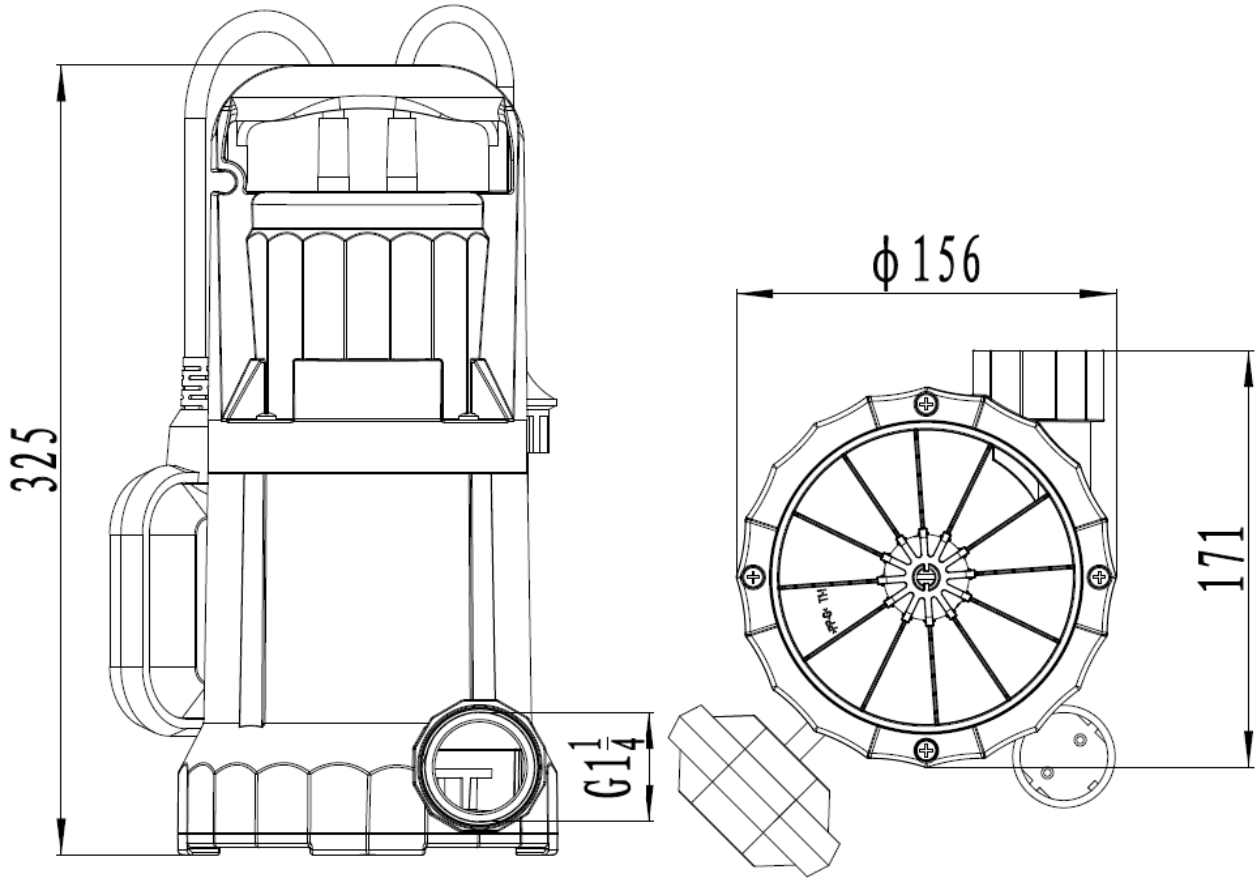
Manufacturer LEO
Address China,Zhejiang,Wenling
Contact 0576-89988888
Date 2024/7/17

Project Name

Client Name
Client Addr.

Item NO

Contacts
Contact





Structure picture

Manufacturer LEO
 Address China,Zhejiang,Wenling
 Contact 0576-8998888
 Date 2024/7/17

Project Name

XKS-810PL

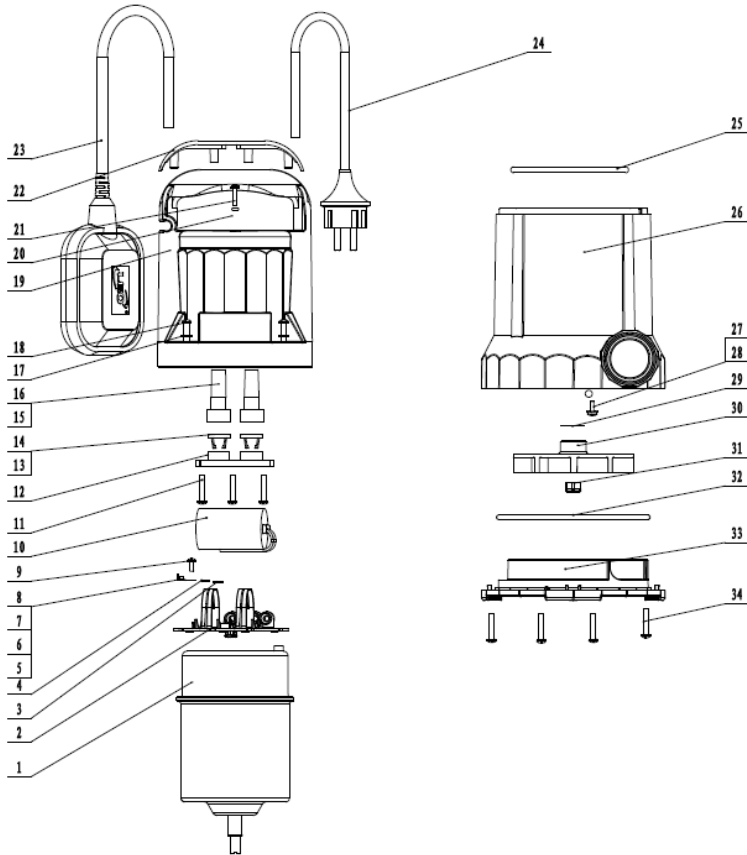
Client Name

Client Addr.


Item NO

Contacts

Contact



| | | | | | | |
|-----|----------|--------------------------------------|----------------------|--------|------------|----------|
| 34 | 10010267 | 十字槽盘头自攻螺钉ST4.2×22F型 | Screw | 4 | 20H(304) | |
| 33 | 40050212 | XKS-810PL底座 | Pump base | 1 | PP-GF30 | |
| 32 | 10000472 | O形密封圈(GB/T 3452.1)123×3.8 | O-ring | 1 | NBR | |
| 31 | 10007210 | 非金属材料薄型锁紧螺母M8(DIN 985) | Locknut | 1 | A2-70(304) | |
| 30 | 40050202 | XKS-810PL叶轮 | Impeller | 1 | PA6-GF25 | |
| 29 | 10034335 | 平垫φ8.5×φ20×1 | Washer | 1 | 200HV(304) | |
| 28 | 10033172 | 内六角花型圆头凸缘自攻钉(带帽)ST3.5×11 | Screw | 1 | 20H(304) | |
| 27 | 10001235 | 钢珠Sφ6 | Ball | 1 | 304 | |
| 26 | 40050211 | XKS-810PL泵体 | Pump body | 1 | PP-GF30 | |
| 25 | 10033148 | O形密封圈(GB/T 3452.1)90×5 | O-ring | 1 | NBR | |
| 24 | 10036065 | 插头线(欧标)H05RN-F 3G×0.75×10.3m | Plug cord | 1 | | 测150 |
| 23 | 40032988 | FLO-01B浮子开关1007M-F 3G×1mm×0.6m | Float switch | 1 | | 测150 |
| 22 | 40005306 | XKS-750P提手衬 | Handle inlay | 1 | PP-GF30 | |
| 21 | 10033172 | 内六角花型圆头凸缘自攻钉(带帽)ST3.5×11 | Screw | 1 | 20H(304) | 带帽 |
| 20 | 10000501 | O形密封圈(GB/T 3452.1)2.5×1.8 | O-ring | 1 | NBR | |
| 19 | 40050213 | XKS-810PL泵盖 | Main housing | 1 | PP-GF30 | |
| 18 | 10010266 | Y形盘头自攻螺钉YST4.7×35 | Screw | 4 | 20H(304) | |
| 17 | 10001457 | 平垫圈4(GB/T 97.1) | Washer | 4 | 20H(304) | |
| 16 | 10002549 | XKS-750PW电缆护套 | Cable jacket | 1 | EPDM | |
| 15 | 10006327 | XKS-251P电缆护套 | Cable jacket | 1 | EPDM | |
| 14 | 40023262 | LXS-400PW电缆固定夹 | Cable clamp | 1 | PA6-GF25 | |
| 13 | 40033437 | LXS-250P电缆固定夹 | Cable clamp | 1 | PA6-GF25 | |
| 12 | 40013291 | XKS-258P电缆固定板 | Cable plate | 1 | PA6-GF25 | |
| 11 | 10001550 | 十字槽盘头自攻螺钉ST4.2×22F型 | Screw | 3 | ML20Mn | 镀锌 |
| 10 | 10033547 | CB60聚丙烯14μF/450V电容40×70°C/70°C/BS | Capacitor | 1 | | 聚丙烯13M±5 |
| 9 | 10001502 | 十字槽盘头螺钉M4×8(GB/T818) | Screw | 1 | 4.8级 | 镀锌 |
| 8 | 10002538 | 热缩套管φ4 | Heat-shrinkable tube | 1 | | 长40 |
| 7 | 10017517 | 耐高温阻燃端子 150°C/750°C(CB2) | Clip cap | 5 | | |
| 6 | 10001122 | 接线片φ4.2 | Cold terminal | 1 | HPb59-1 | |
| 5 | 10027626 | JTJ-154铜导线50W 0.75mm²黄绿色(GB/T6213.6) | Wire | 1 | | 长150 |
| 4 | 10001212 | 标准型弹簧垫圈4(GB/T93) | Spring washer | 1 | 65Mn | |
| 3 | 10001583 | 外齿锁紧垫圈4(GB/T 862.1) | Serrated washer | 1 | 65Mn | |
| 2 | 40047569 | LGS-1200PSW绝缘板 | Insulation | 1 | PP-Y0 | |
| 1 | 40050961 | SM-5660-2电机(铝端盖) | Motor | 1 | | |
| 序号 | 代号 | 中文名 Chinese Name | 英文名 English Name | 数量 | 材料 | 备注 |
| No. | Part No. | 名称 Part Name | | Amount | Material | Remark |

| | | | |
|--|-----------------------------|--------------|------------------------|
|  | Physical picture | Manufacturer | LEO |
| | | Address | China,Zhejiang,Wenling |
| | | Contact | 0576-89988888 |
| | | Date | 2024/7/17 |
| Project Name | XKS-810PL | Client Name | |
| Item NO | | Client Addr. | |
| | | Contacts | |
| | | Contact | |

