
	Product Information	Manufacturer	LEO
		Address	China,Zhejiang,Wenling
		Contact	0576-89988888
		Date	2025/10/27
Project Name	XKS-1100S	Client Name	
Item NO		Client Addr.	
		Contacts	
		Contact	

Part NO.	XKS-1100S
----------	-----------

Product Picture	Note
	<p>XKS-1100S can be used for transfer clean water or other liquids similar to water in physical and chemical properties, suitable to be immersed in water for lifting water from well or the pool, and draining water from the basement.</p>

Nameplate parameters

Max.flow	6.5 m ³ /h
Max.head	45 m
Max. Suction Depth speed	7 m
Max. Dia of Particle	1 mm

Technical

Flow range (m ³ /h)	
Curve tolerance	

Material

Impeller
Diffuser
Pump shaft
Pump flange
Motor base
Coupling
Pump barrel



Working conditions


Medium temperature (°C)	+35 C
Max. ambient temperature (°C)	
Pumped medium	Clean water
Working pressure	
Maximum inlet pressure	

Installation

Length of Power Cable	10m
outlet dia.	1 "

Motor

Motor phase	Single phase
Protection class	IPX8
Motor poles	
Insulation class	F
Motor power (KW)	1.1kW
Motor model	
Frequency	50Hz
Rated voltage (V)	220V-240V

	Product Information	Manufacturer	LEO
		Address	China,Zhejiang,Wenling
		Contact	0576-89988888
		Date	2025/10/27
Project Name	XKS-1100S	Client Name	
		Client Addr.	
		Contacts	
Item NO		Contact	

Rated current (A)

Efficiency class

Power factor

Efficiency (%)

Weight/Packaging

Net weight (kg)

Gross weight (kg)

Package size

11kg

245x190x480mm



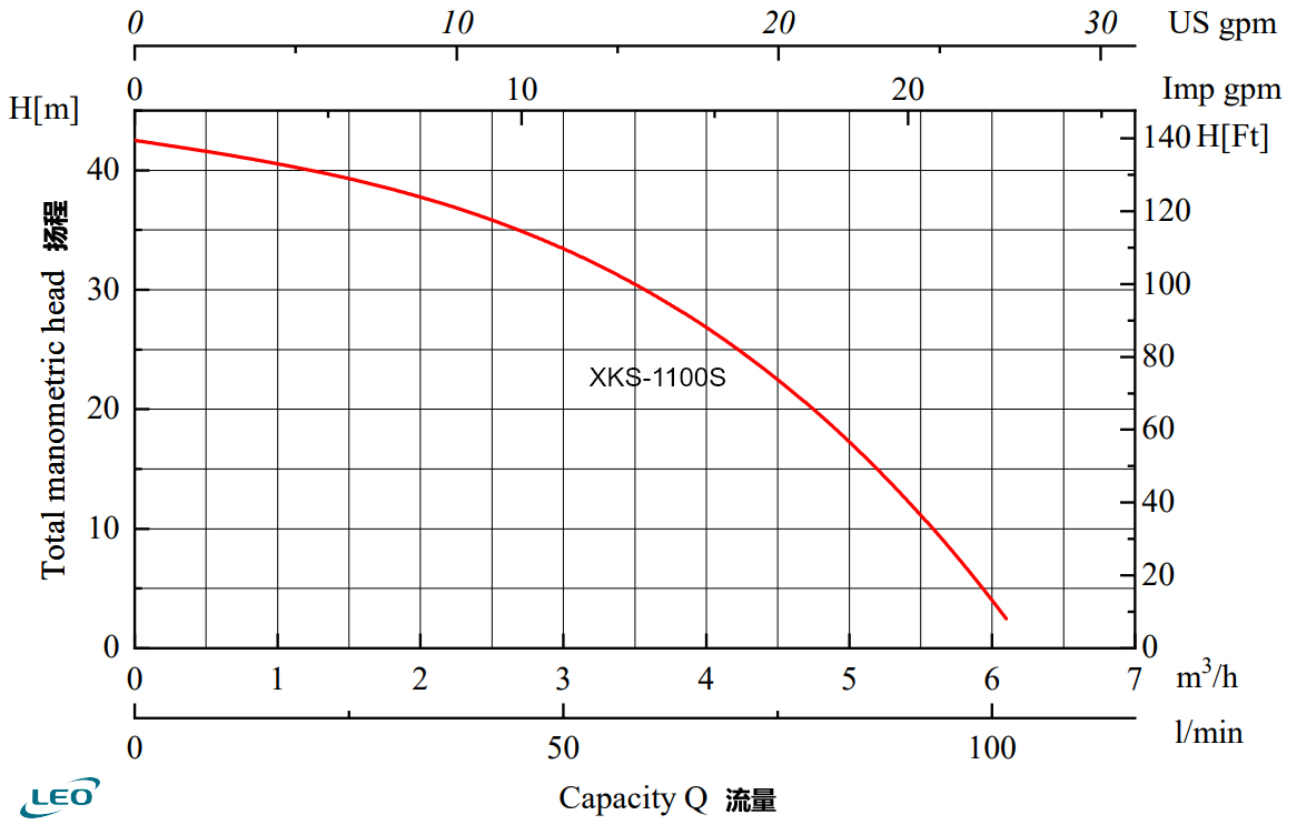


Performance Curve XKS-1100S

Manufacturer	LEO
Address	China,Zhejiang,Wenling
Contact	0576-89988888
Date	2025/10/27
Client Name	
Client Addr.	
Contacts	
Contact	

Project Name	
Item NO	

Hydraulic Performance Curve 性能曲线图





Pump Technical Parameters XKS-1100S

Manufacturer	LEO
Address	China,Zhejiang,Wenling
Contact	0576-89988888
Date	2025/10/27
Client Name	
Client Addr.	
Contacts	
Contact	

Rated parameters	
Pump model	XKS-1100S
Part NO.	XKS-1100S
Rated flow	6.5 m ³ /h
Rated head	45 m
Rated efficiency (%)	
Power (kW)	1.1
Speed (rpm)	
Design point parameters	
Flow (m ³ /h)	
Head (m)	
Operating point parameters	
Flow (m ³ /h)	
Head (m)	
Efficiency (%)	
Power (kW)	
NPSHr (m)	
Speed (rpm)	
Medium	
Pumped medium	Water
Working temperature (°C)	
Medium density (kg/m ³)	
Viscosity (mm ² /s)	

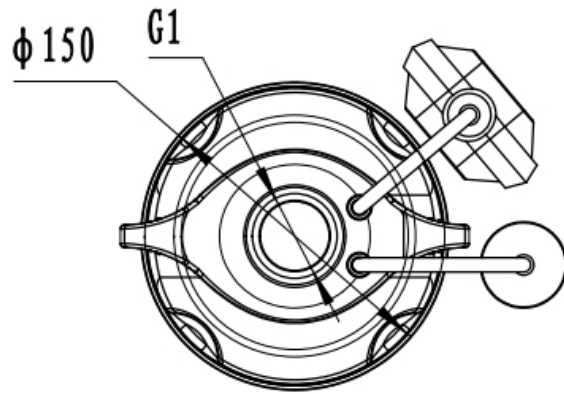
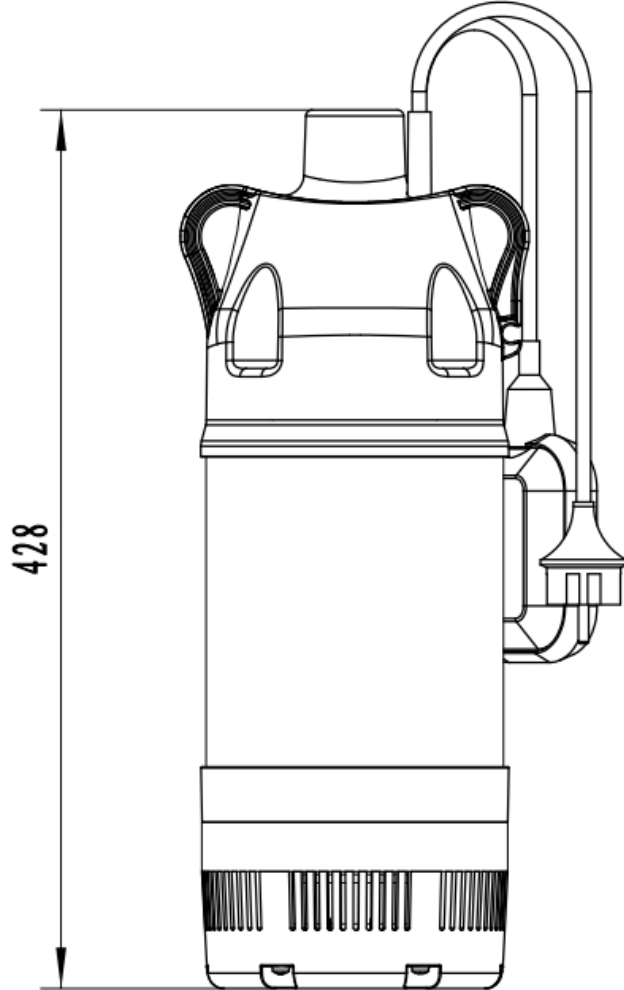




**Dimension
Drawing XKS-1100S**

Manufacturer	LEO
Address	China,Zhejiang,Wenling
Contact	0576-89988888
Date	2025/10/27
Client Name	
Client Addr.	
Contacts	
Contact	

Project Name	
Item NO	





Structure picture

Manufacturer LEO
 Address China,Zhejiang,Wenling
 Contact 0576-8998888
 Date 2025/10/27

Project Name

XKS-1100S

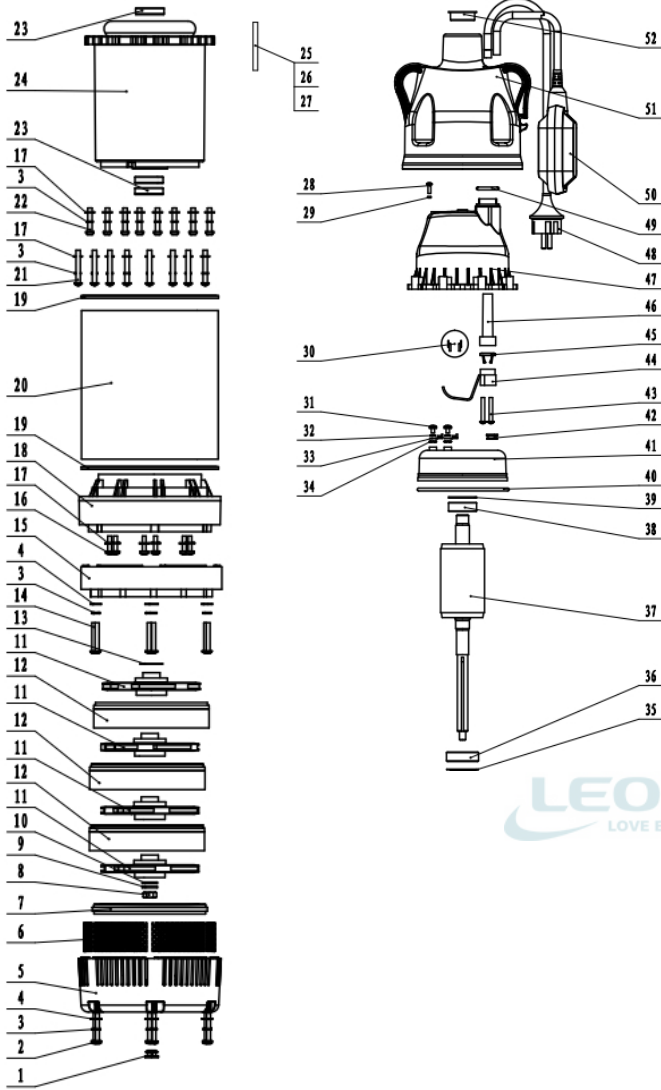
Client Name

Client Addr.


Item NO

Contacts

Contact



52	40025094	XCa158防尘盖	Dust cover	1	PB	
51	40013953	XKS-900S泵体	Pump body	1	PP-GF30	
50	40014975	FLO-01B浮子开关3G1mm*0.75m(H07KM-F)	Floot switch	1		
49	10000518	O形橡胶密封圈35.5*3.55(GB/T3452.1)	O-ring	1	NBR	
48	10006596	插头线(欧标)(R)-H07RN-F 3G*1*10.3m	Plug cord	1		剥15cm
47	40005376	XKS-900S顶盖	Main housing	1	PP-GF30	
46	10002549	XKS-750PW电缆护套	Cable jacket	2	BPDM	
45	40023262	XKS-750PW电缆固定夹	Cable clamp	2	PA6-GF25	
44	40006044	XKS-750PW电容夹	Capacitor fixing	1	PA6-GF30	阻燃10%
43	10001554	十字槽盘头自攻螺钉ST4.2*30P型	Screw	3	ML20Mn	渗碳镀镍
42	10001070	XKS-750P出线嘴	Outlet mouth	1	NBR	
41	40005503	XKS-900S上端盖	Bearing cover	1	ZL102	
40	10006613	O形橡胶密封圈108*3.55(GB/T3452.1)	O-ring	1	NBR	
39	10004846	波形弹簧D35	Wave spring	1	65Mn	
38	10001165	深沟球轴承6202(GB/T276)	Ball bearing	1		
37	40022990	XKS-1101转子	Rotor	1		
36	10001174	深沟球轴承6203(GB/T276)	Ball bearing	1		
35	10004647	XKS-900S调整垫片	Adjusting shim	1	Q235	镀锌
34	10001583	外锯齿锁紧垫圈4(GB/T 862.1)	Serrated lock washer	2	65Mn	
33	10001122	φ4.2接线片	Cold compacting	2	HPb59-1	
32	10001212	标准型弹簧垫圈4(GB/T93)	Spring washer	2	65Mn	
31	10001501	十字槽盘头螺钉M4*6(GB/T 818)	Screw	2	4.8级	镀锌
30	10022856	CB840聚丙烯16uf/450v电容34*68/C/70C/S3	Capacitor	1		11111111mm
29	10000501	O形橡胶密封圈2.5*1.8(GB/T3452.1)	O-ring	1	NBR	
28	10012767	内六角盘头自攻螺钉(带垫)ST3.5*11	Screw	1	20H(304)	
27	30005736	尼龙扎带 3*100	Band	1	PA	白色
26	10017517	耐高温绝缘端子150℃/750℃(CB2)	Closed end terminal	6		
25	10027626	JTJ-151引线30W 0.75mm*黄线(LB/T 6113.6)	Lead wire	2		
24	40021172	XKS-1101S定子	Stator	1		
23	10014385	内包胶聚氨酯轴形密封圈F915 30 7(GB/T9177.1)	rubber covered rotary shaft lip seal	3	304(弹簧)	
22	10009531	内六角盘头自攻螺钉(带垫)ST4.7*23	Screw	8	20H(304)	
21	10005641	T槽盘头自攻螺钉ST4.7*40	Screw	8	20H(304)	
20	10004875	XKS-900S泵筒	Pump barrel	1	304	
19	10001078	XKS-900S泵体密封圈	Pump body seal	2	BPDM	
18	40005373	XKS-900S导叶	Guide vane	1	PP-GF30	
17	10001450	平垫圈4(GB/T97.1)	Washer	22	200HV(304)	
16	10013564	十字槽小盘头螺钉M5*16(GB/T 823)	Screw	6	A2-70(304)	
15	40009116	XKS-1100S支架	Bracket	1	PP-GF30	
14	10010257	十字槽盘头自攻螺钉ST4.2*30P型	Screw	6	20H(304)	
13	10007139	XKS-900S平垫圈 φ13.2*φ24*0.5	Washer	1	1Cr18Ni9Ti	
12	40005374	4XCm100S出水盖	Outlet cover	3	PP0-GF30	
11	40022707	XKS-901S叶轮	Impeller	4	PP0-GF30	
10	10001460	平垫圈8(GB/T97.1)	Washer	1	304	
9	10001218	弹簧垫圈8	Spring washer	1	304	
8	10007210	非金属嵌件埋型锁紧螺母M8	Nut	1	A2-70(304)	
7	40005379	XKS-900S泵盖	Pump cover	1	PP0-GF30	
6	10014363	XKS-900S滤网	Filter	6	304	
5	40005377	XKS-900S底座	Base	1	PA66-GF30	
4	10001437	小垫圈4(GB/T848)	Washer	12	201	
3	10001213	标准型弹簧垫圈4(GB/T93)	Spring washer	28	201	
2	10012673	十字槽盘头自攻螺钉ST4.2*60(GB/T845)	Screw	6	20H(304)	
1	40005375	XKS-900S放水孔插头	Plug	1	NBR	
序号	代号	中文名	英文名	数量	材料	备注
No.	Part No.	名称	Part Name	Amount	Material	Remark

	Physical picture	Manufacturer	LEO
		Address	China,Zhejiang,Wenling
		Contact	0576-89988888
		Date	2025/10/27
Project Name	XKS-1100S	Client Name	
Item NO		Client Addr.	
		Contacts	
		Contact	

