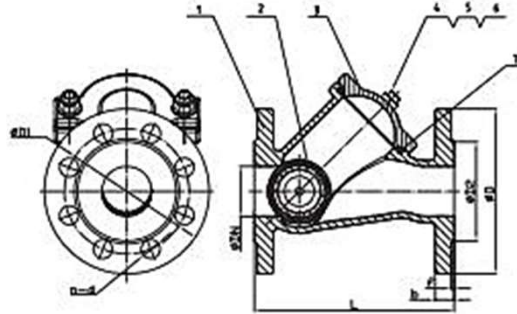


## Ball Check Valve (HQ41XN)



HQ41XN

- Connection Ends: Flange to BS EN 1092-2:1997
- Working Pressure: PN10/16
- Temperature Range: 0°C- 80°C
- Coating: Fusion Bonded Epoxy Coating in accordance with ANSIAWWA C550



### MATERIAL SPECIFICATION

Part No.	Part	Standard Specification
1	Body	EN-GJS-450-10
2	Ball	Aluminum ball + EPDM
3	Cover	EN-GJS-450-10
4	Bolt	Carbon Steel Zinc Plated
5	Nut	Carbon Steel Zinc Plated
6	Flat Washer	Carbon Steel Zinc Plated
7	O-Ring	NBR

Note: For special material request other than standard specification, please indicate clearly on the inquiry or order list.

DN		PN	Dimensions(mm)						
Inch	mm		L	aD	aD1	aD2	n-d	b	f
2"	50	10/16	200	165	125	99	4-a19	19	3
2 1/2"	65	10/16	240	185	145	118	4-a19	19	3
3"	80	10/16	260	200	160	132	8-a19	19	3
4"	100	10/16	300	220	180	156	8-a19	19	3
5"	125	10/16	350	250	210	184	8-a19	19	3
6"	150	10/16	400	285	240	211	8-a23	19	3
8"	200	10	500	340	295	266	8-a23	20	3
		16					12-a23		
10"	250	10	600	405	350	319	12-a23	22	3
		16			355		12-a28		
12"	300	10	700	460	400	370	12-a2	24.5	4
		16			410		12-a28		