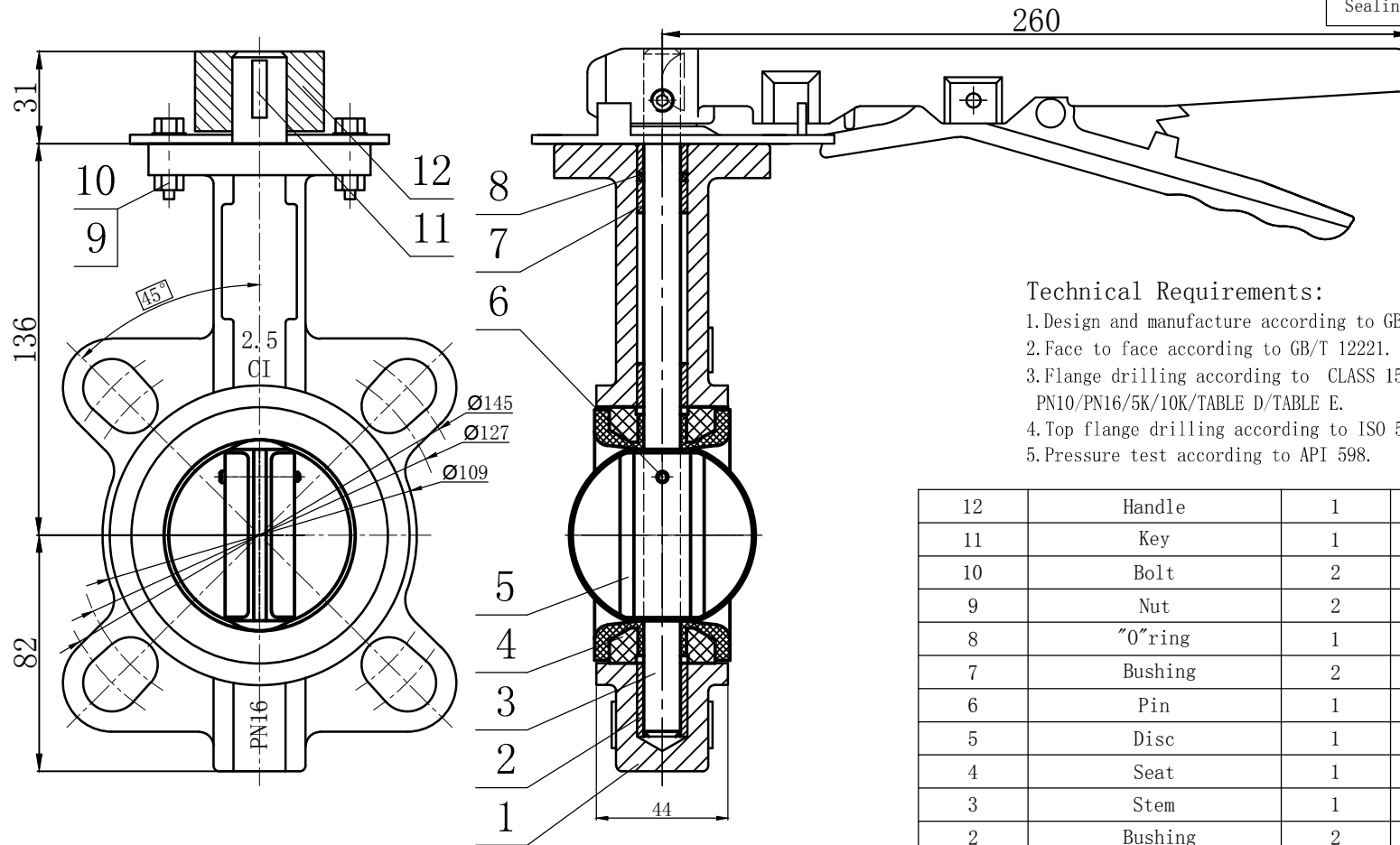


Technical Data	
Test Pressure	
Nominal pressure	PN16
Shell test pressure	24bar
Sealing test pressure	17.6bar



Technical Requirements:

1. Design and manufacture according to GB/T 12238.
2. Face to face according to GB/T 12221.
3. Flange drilling according to CLASS 150/PN6
PN10/PN16/5K/10K/TABLE D/TABLE E.
4. Top flange drilling according to ISO 5211.
5. Pressure test according to API 598.

12	Handle	1	CS
11	Key	1	45#
10	Bolt	2	SS201
9	Nut	2	SS201
8	"O" ring	1	NBR
7	Bushing	2	PTFE
6	Pin	1	SS304
5	Disc	1	DI
4	Seat	1	EPDM
3	Stem	1	SS410
2	Bushing	2	PTFE
1	Body	1	CI
NO.	Name	Qty	Material

					Assemble Drawing		Butterfly Valve 2.5" (DN65)
Mark	No.	Change File No.	Sign	Date			
Designer			Standardization		Drawing Mark	Weight	65D7A1X-16-00
Corrector							
Auditor			Authorized				
Technologist			Approved by		Total	Pages Total	Pages