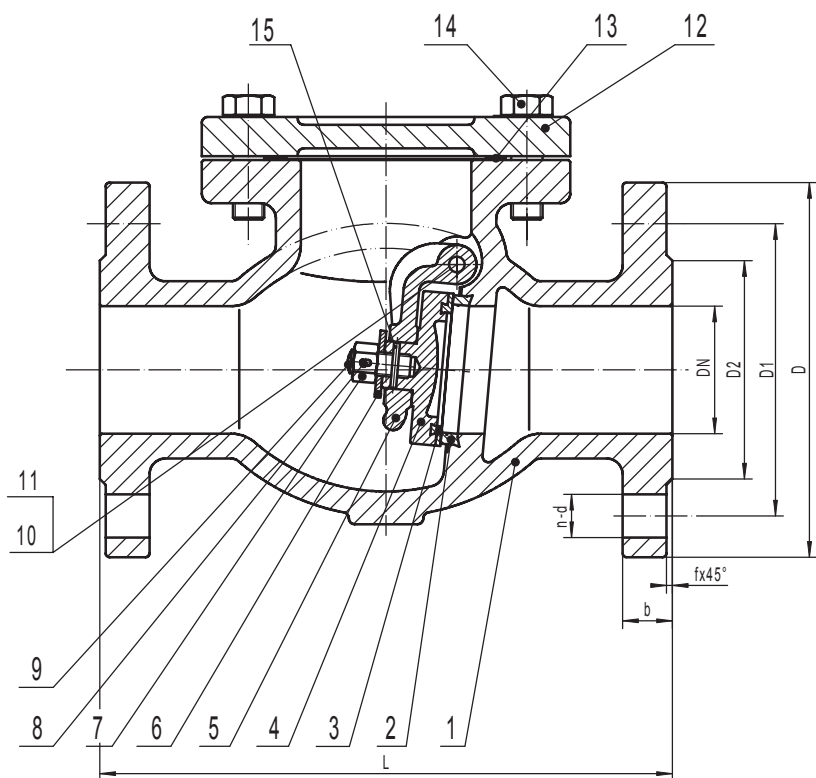


DH44T-16 FLANGE END SWING CHECK VALVE



Scope of Application

nominal pressure	1.6MPa	
suitable medium	water,oil, steam	
test pressure	shell	2.4MPa
	sealed	1.76MPa

Technical requirement

- 2.Face to face dimension conforms to F6 of DIN3202 .
- 3.Flange drilled conforms to BS EN1092.

300	700	460	410	370	32	4	12-28
250	600	405	355	319	32	3	12-28
200	500	340	295	266	30	3	12-23
150	400	285	240	211	26	3	8-23
125	350	250	210	184	26	3	8-19
100	300	220	180	156	24	3	8-19
80	260	200	160	132	22	3	8-19
65	240	185	145	118	20	3	4-19
50	200	165	125	99	20	3	4-19
40	180	150	110	84	18	3	4-19
规格	L	D	D1	D2	b	f	n-d

15	Pin	stainless steel SS 304
14	Bolt	Carbon steel
13	Gasket	graphite
12	Bonnet	Cast iron EN-GJL 250
11	Hanger Pin	stainless steel SS 304
10	hexagon plug	brass YB146-71 HPb59-1
9	Disc Screw	Carbon steel
8	Split Pin	stainless steel SS 304
7	Nut	Carbon steel
6	Washer	Carbon steel
5	Hanger	Cast ductile iron EN-GJS-400-15
4	Disc	Cast iron EN-GJL 250
3	Disc Ring	brass
2	Seat Ring	brass
1	Body	Cast iron EN-GJL 250
No	Name of part	Material