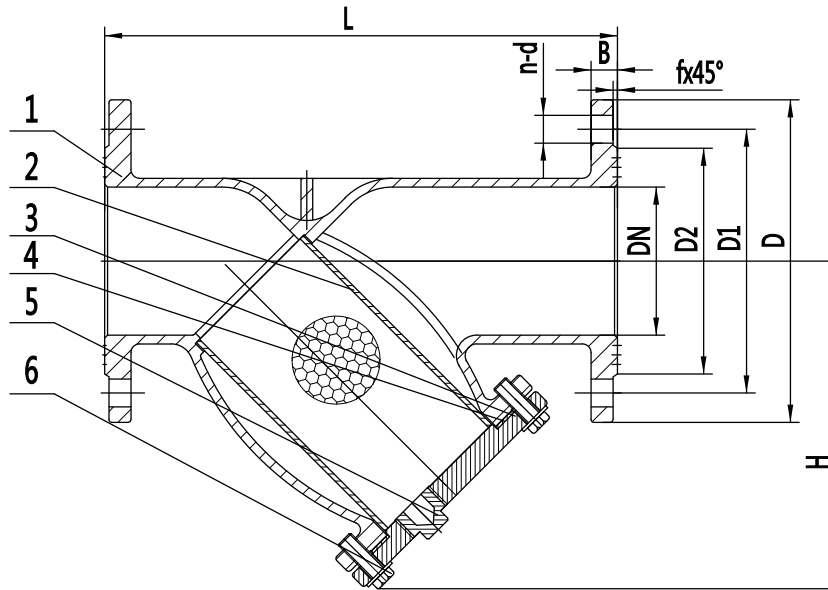


FLANGED END STRAINER -- DGY16



Dimensions (mm)

Size	L	D	B	EN 1092-2 PN10			EN 1092-2 PN16			H
				D1	D2	n-d	D1	D2	n-d	
DN15	130	95	14	65	46	4-14	65	46	4-14	80
DN20	150	105	16	75	56	4-14	75	56	4-14	81
DN25	160	115	16	85	65	4-14	85	65	4-14	81
DN32	180	140	18	100	76	4-19	100	76	4-19	100
DN40	200	150	19	110	84	4-19	110	84	4-19	113
DN50	230	165	19	125	99	4-19	125	99	4-19	125
DN65	290	185	19	145	118	4-19	145	118	4-19	150
DN80	310	200	19	160	132	8-19	160	132	8-19	169
DN100	350	220	19	180	156	8-19	180	156	8-19	213
DN125	400	250	19	210	184	8-19	210	184	8-19	250
DN150	480	285	19	240	211	8-23	240	211	8-23	281
DN200	600	340	20	295	266	8-23	295	266	12-23	357
DN250	730	400	22	350	319	12-23	350	319	12-28	460
DN300	850	455	24.5	400	370	12-23	400	370	12-28	532

Scope of Applications

Nominal Pressure	1.6 MPa	
Test Pressure	Intensity	2.4 MPa
Suitable Medium	Water, Oil, Gas	
Maximum Temperature	100°C	

Technical Specification

- 1.Face to Face Dimensions: EN 558-Basic Series 1
- 2.Flange Drilling: EN 1092-2 PN10/PN16
- 3.Cast Iron option is available upon request

Materials

No	Name of Part	Material	German Standard
1	Body	Ductile Iron	DIN1693 GGG50
2	Screen	Stainless Steel	DIN174440X5CrNi189
3	Bonnet	Ductile Iron	DIN1693 GGG50
4	Gasket	Graphite	
5	Screw Plug	Malleable Cast Iron	DIN EN 1562
6	Bolt	Steel	DIN17100RSt37-2