



**ULTRAFILTRATION SYSTEM**

**Use and Maintenance Manual**

**AQUA SIMPLEX UF**





FILTRATION - Dosing - DETERGENT & HYGIENE - POOL EQUIPMENT



## **DECLARATION OF CONFORMITY**

Company:	<b>AQUA S.p.A.</b>
Address:	<b>Via T. Crotti, 1 - 42018 - San Martino in Rio (RE)</b>

Hereby declares that the products named:

### **• AQUA SIMPLEX**

Responds to the principal features of the following European Directives:

- **2014/30/CE of 26/02/2014 - Harmonization of the laws of the Member States relating to electromagnetic compatibility – EMC Directive**
- **2014/35/CE of 26/02/2014 - Harmonization of the laws of the Member States relating to the making available on the market of electrical equipment designed for use within certain voltage limits – Low Voltage Directive**
- **2011/65/UE of 08/06/2011 with subsequent update 2015/863 of 31/03/2015 – ROHS III Directives**
- **2012/19/UE of 04/07/2012 - WEEE Directives for electrical and electronic waste**

This declaration is issued under the responsibility of Aqua S.p.A.

San Martino in Rio (RE) - 08 settembre 2020

**Daide Vezzani**  
Certification Manager - Aqua S.p.A.



## INDEX

<b>1 – SAFETY .....</b>	<b>4</b>
<b>2 – TECHNICAL SPECIFICATIONS .....</b>	<b>4</b>
<b>3 – STOCKING INSTRUCTIONS .....</b>	<b>6</b>
<b>4 – INSTRUCTIONS FOR A REGULAR FUNCTIONING .....</b>	<b>6</b>
<b>5 – INSTALLATION SCHEME .....</b>	<b>7</b>
<b>6 – DEVICE STARTING .....</b>	<b>8</b>
<b>7 – MAINTENANCE .....</b>	<b>8</b>
<b>8 – WARRANTY .....</b>	<b>10</b>
<b>9 – SUMMARY TABLE PREVENTIVE MAINTENANCE .....</b>	<b>10</b>
<b>10 – SPARE PARTS .....</b>	<b>11</b>

## 1 – SAFETY

AQUA filter housings should be used only for specific use as indicated by AQUA S.p.A. **AQUA SIMPLEX UF** has been studied to be used with potable water. Max pressure for inlet connection is 3 bar, max working temperature is 35°C.



**WARNING:** Do not install **ARO** on plants with water considered bacteriological unsafe or which origin and characteristics are unknown.

The manufacturer declines any responsibility for possible incorrect info on this instruction manual attributable to printing or transcription errors.

The manufacturers holds also the right to apply to the osmotic device all the modifications, useful or necessary, without compromising the fundamental characteristics of the device itself.

## 2 – TECHNICAL SPECIFICATIONS

Ultrafiltration is a filtration process operated on a semi-permeable membrane to "Fibre Cave" characterized by pores having a diameter of about 1-100 nm. Even after the filtration treatment the essential elements for the human body, such as mineral salts, remain dissolved in the water.

The **AQUA SIMPLEX UF** is able to reduce chlorine, sediment and bacteria in the input making it suitable for domestic use.

It is not necessary a storage tank seen that 100% of the treated water is available for use, and so there is no wasted water.

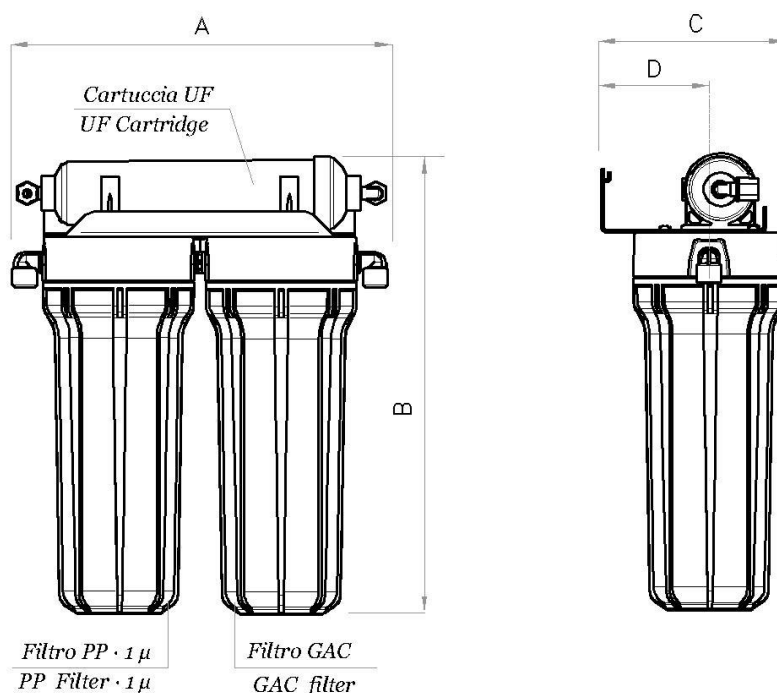
Filtration does not require any power supply

The purification system **AQUA SIMPLEX UF** is built from components of absolute quality.

The system consists of a pretreatment system comprising a sediment filter PP 1 micron, an active carbon filter and a membrane ultrafiltration.

The **AQUA SIMPLEX UF** has the following dimensions:

*Dimensioni d'ingombro • Overall dimensions*



Modello	A	B	C	D
<b>Simplex</b>	295	360	150	85

#### Technical data

- ◆ Cartridge FRN melt blown 1 Micron
- ◆ Cartridge GAC (activated charcoal)
- ◆ Cartridge ultrafiltration from 0.1 Micron
- ◆ Production water target 2.5 l / min
- ◆ Water pressure 0.5-3 bar (For higher pressure we recommend the use of a pressure reducer)
- ◆ Water temperature 5-35 ° C

#### Materials used

- The containers of the prefilters are high density polypropylene.
- The cartridge pre-treatment contains activated charcoal.
- Pipes and connection fittings are made of polypropylene.
- The membranes are made of polypropylene, a specific product for the treatment of water.

#### Environmental conditions and operating limits



- Minimum temperature 5 ° C environment
- Maximum ambient temperature 50 ° C
- Minimum temperature 5 ° C water
- Maximum water temperature 35 ° C
- Maximum relative humidity 95%

### 3 - STOCKING INSTRUCTIONS

The packed unit must be stored in a dry (no condensation), protected from the weather. It must be borne in mind that, even if carefully packed and protected, the system must be considered and handled as fragile. Upon receipt you have to open the packaging to check the integrity of the unit. In case of damage, immediately notify the carrier.

### 4 - INSTRUCTIONS FOR A REGULAR FUNCTIONING

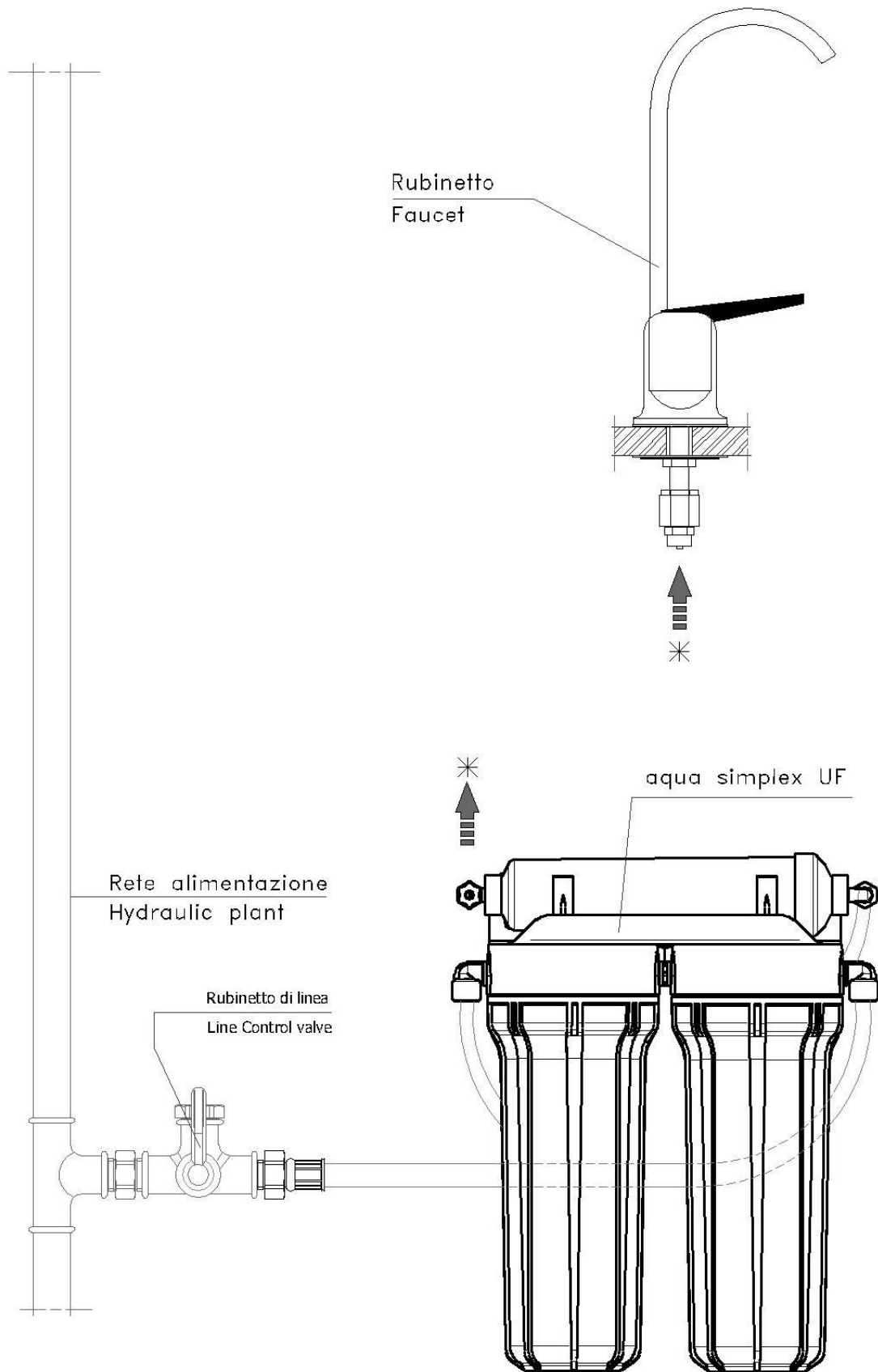


- Make sure that it can not enter into the hot water (35 ° C max).
- Make sure the unit is not used with the water below 5 ° C or in areas subject to frost.
- The water supply pressure must be between the maximum and the minimum of 3 atm to 0.5 atm with capacity min. of 100 l / h. For pressures greater than 3 atm or in case of pressure surges, it is essential to a pressure regulator.
- For well water, tank or surface it should be used a pre-filter.
- The installations, repairs, operation or modification must be performed by authorized personnel.



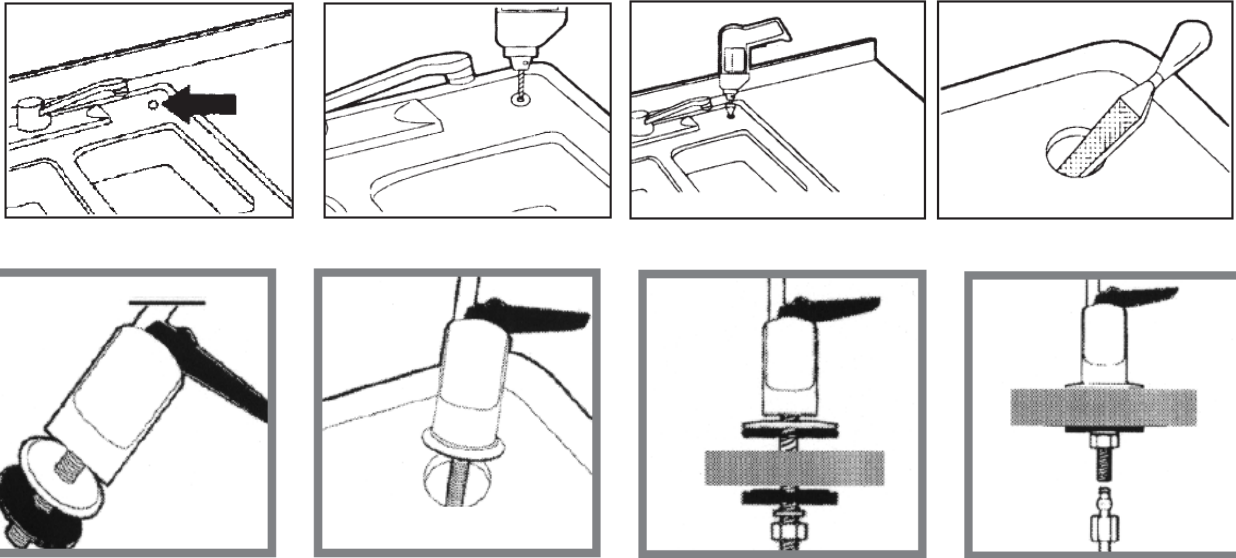
**The guarantee does not apply if you do not comply with the above standards.**

## 5 - INSTALLATION SCHEME



### Faucet connection:

Install the faucet by drilling an adequate hole in the kitchen sink and installing it with the supplied accessories.



## 6 – DEVICE STARTING

After hoses and plug are connected, open the water flow and slowly put the system under pressure, checking for eventual leaks. **In case of leaks on fittings add PTFE tape (Teflon).** Open the faucet and let the water flow in order to remove the air.

## 7– MAINTENANCE

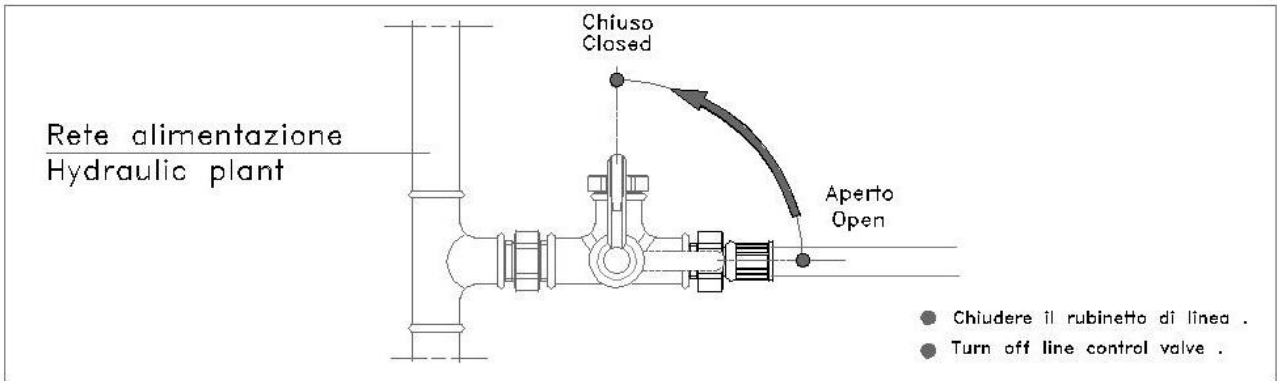


The system is completely automatic and needs little maintenance. The only essential operations are the substitution of filtering elements and the systems sterilization.

### Maintenance frequency

Type	Use	Average life
First stage	Sediment cartridge 1 µm	12 months
Second stage	CARBON BLOCK cartridge	12 months
Third stage	Cartridge ULTRAFILTRATION	12 months

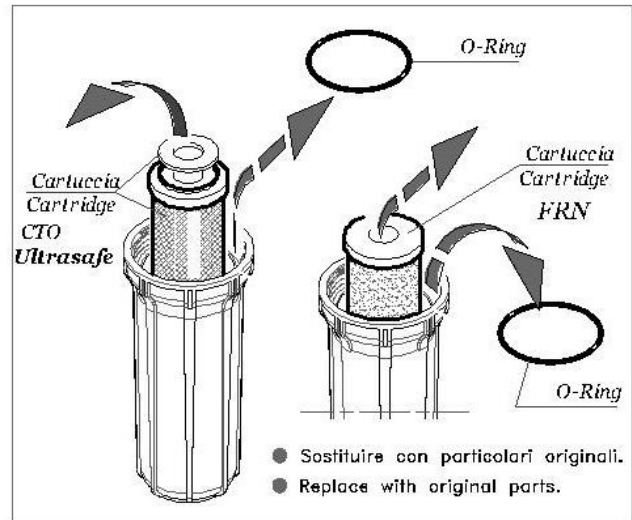
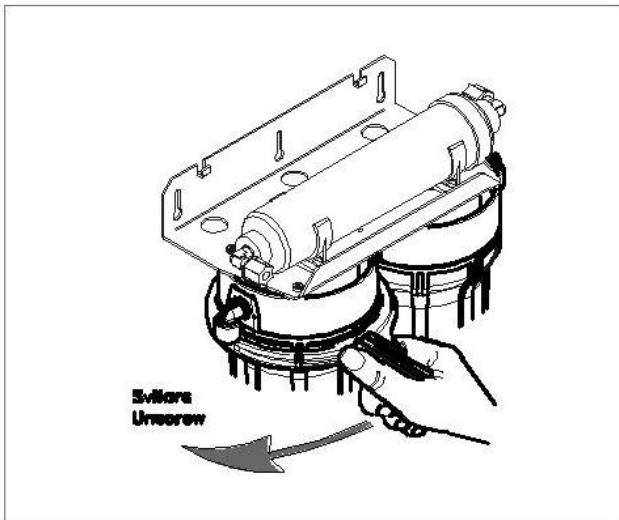




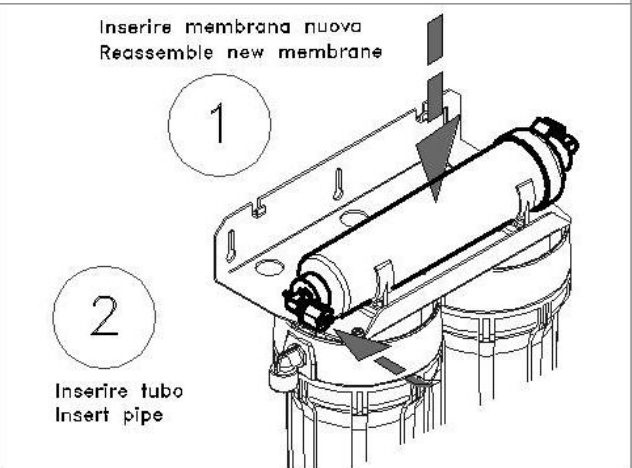
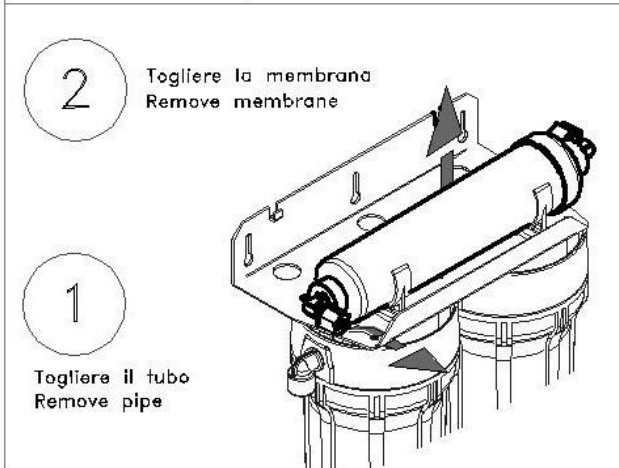
**Attenzione ! :** Prima di aprire i vasi, eliminare la pressione all'interno dell'apparecchio.

**Caution ! :** Remove pressure before each maintenance.

Sostituzione cartucce • Cartridges replacement • Substitution cartouches • Sostitución cartuchos



Membrana ultrafiltro •



For short periods (less than 2 weeks): There are no special instructions to follow but to let slide the first few liters of water taken.  
For long periods (more than 2 weeks): turn off the water supply main. Subsequently open the tap main power, and throw off the Prili liters of water.



**WARNING!** the validity of the CE marking is subject to the integrity of the product and the relevant conditions of installation, use and maintenance instructions provided in the manual indicated. Unauthorized modifications by the manufacturer does decrease the CE marking.

## 8 – WARRANTY

The device **AQUA SIMPLEX UF** is warranted for a period from sale date, excluding materials of use (filters, membranes).

The warranty on the components found with manufacturing defects and is applied to the parts and the labor only if the equipment is returned, postage prepaid, to the Authorized Service Center.

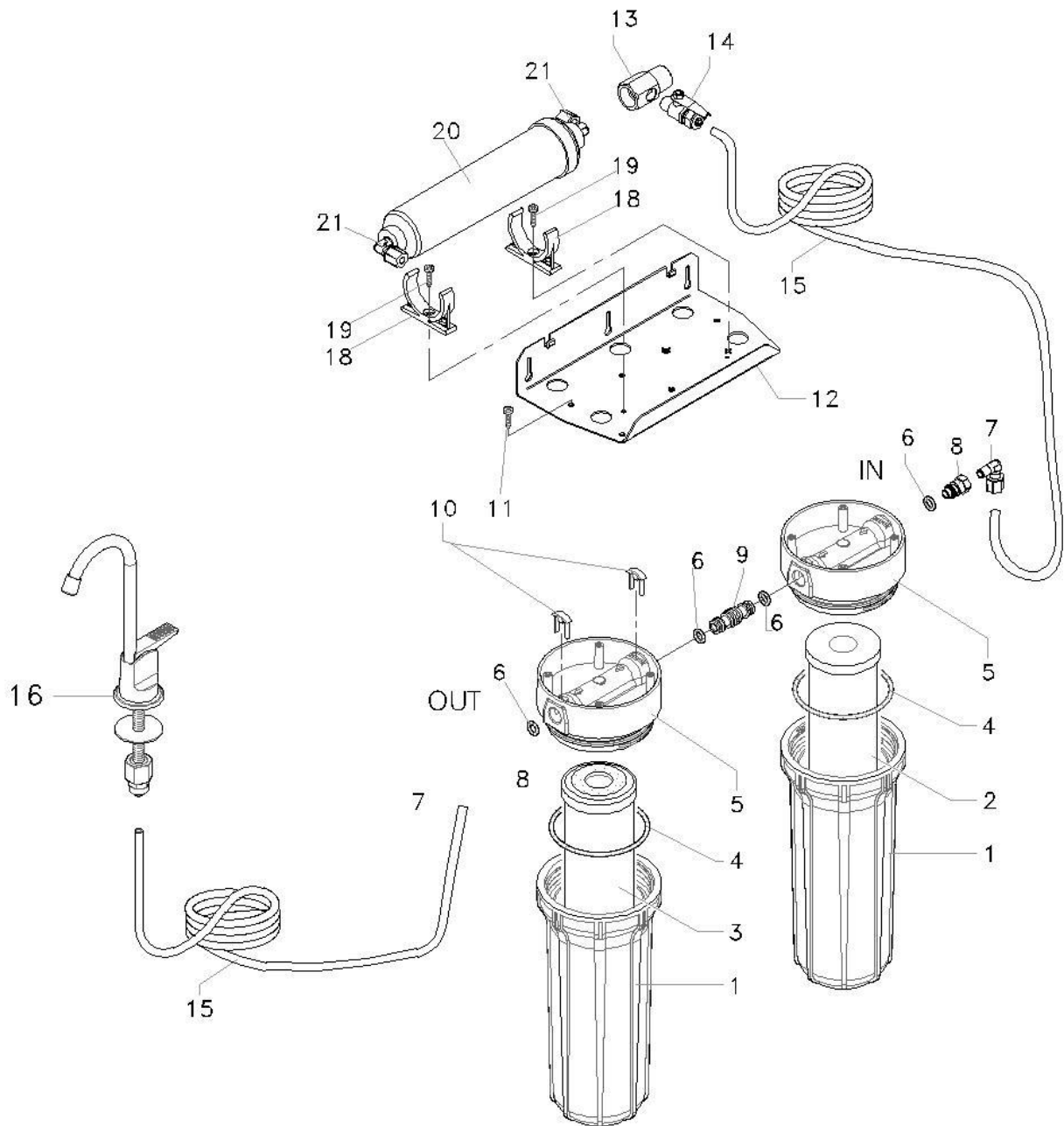
The Service Center is the only one authorized to perform work on the device and to determine if it conflicts assurance standards. The Service Center is not responsible for any damages resulting from the use of its equipment, whatever their nature.

## 9 - SUMMARY TABLE PREVENTIVE MAINTENANCE

Model:			S/N :		
Installation date:					
DATE	1st STAGE	2nd STAGE	MEMBRANE	TDS (PPM)	FLOW-RATE

## 10 - SPARE PARTS

AQUA SIMPLEX UF - ULTRAFILTRAZIONE -  
COD. A9030210



Pos.	Codice / Code	Descrizione / Description	Q.ty
1	A6040060	VASO FP2 9" 3/4 PP BIANCO	2
2	A4240250	CART.PP MELT-BLOWN 9 3/4FR1n	1
3	A4120560	CARTUCCIA CARB.9 3/4GAC PP40 (GAC-CC-40M)	1
4	MG011370	O-Ring - ( Ø 88.5x3.53 Rif.4350 NBR 70 Sh. )	2
5	A6031330	TESTA AQUA TOP serie FAST BIANCA	2
6	MG010990	O-Ring - ( Ø 9.13x2.62 Rif.109 NBR 70 Sh. )	8
7	P9020190	PLASTIC JACO ELBOW BIANCO 1/8" MIP X 1/4" JACO TUBE	2
8	MB030630	BOCCOLA OTTONE NICHELATO PER RACCORDO FILETTATO 1/8"	2
9	A6012500	GIUNTO TESTE ATT. BAIONETTA	1
10	A6012210	FORCELLA BLOCCA INNESTO RAPIDO	4
11	ADSP6000818	VITE M4,2X19 UNI 6954 (AF-TCTC) INOX A2	8
12	PN020170	STAFFA DOPPIA DUPLEX METALLO	1
13	P9020160	ADATTATORE MF 1/2" PER RUBINETTO 1/4"	1
14	P9020170	RUBINETTO A SFERA 1/4" M X TUBO 1/4"	1
15	P9020140	TUBO PE 1/4" BIANCO - ( bob.300 mt.)	2,5MT
16	A6010230	AQUABLOCK D.6 - RUBINETTO LEVA IN METALLO	1
18	P9020280	CLIP DI MONTAGGIO PLASTICA BIANCHI SINGOLI PER CARTUCCIA IN-LINE	2
19	ADSP6000812	VITE M 4 X 8 UNI 7687 (TCTC) INOX A2 / Self-threading screw M4x8	2
20	P9020270	CARTUCCIA ULTRAFILTRAZIONE 10" IN-LINE 1/4" FNPT BIANCA	1
21	P9020110	PLASTIC JACO ELBOW BIANCO 1/4" MIP X 1/4" JACO	2



## **AQUA SIMPLEX UF**

